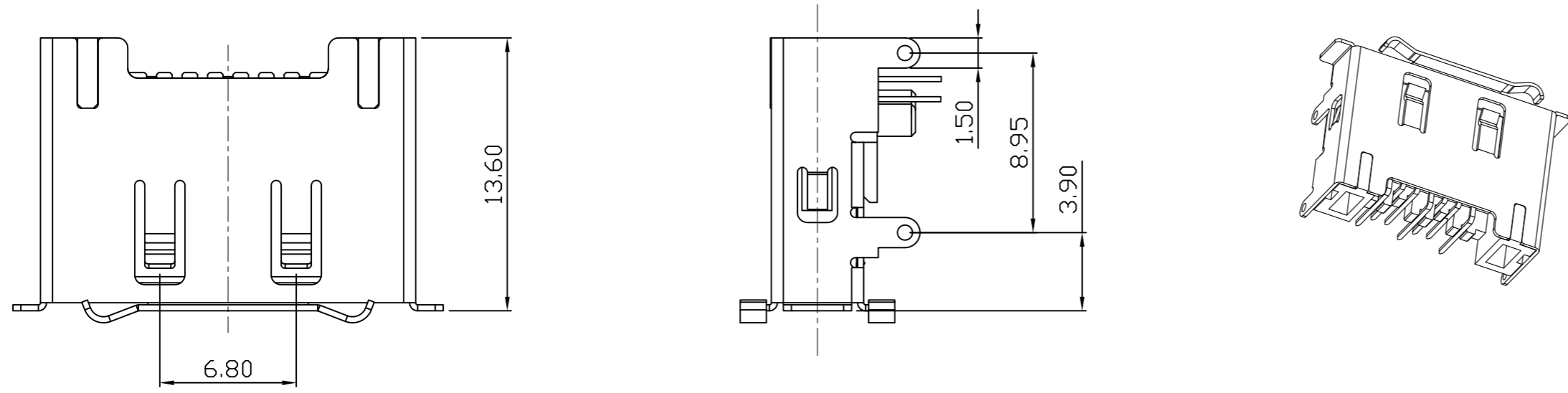


1 2 3 4 5 6 7 8

A

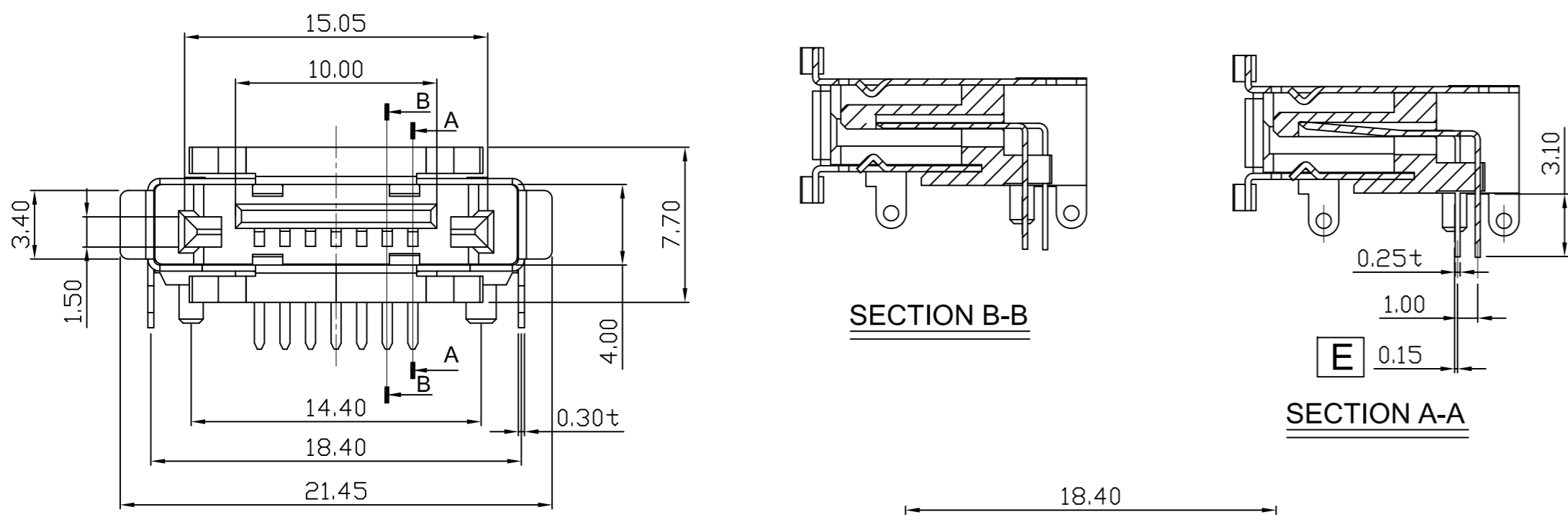
A



- NOTES:**
- Electrical Characteristics:**
 Current Rating: 1.5 A / Pin.
 Dielectric Withstanding Voltage: AC 500V r.m.s.
 Insulation Resistance: 1000 Mohms min.
 Contact Resistance: 30 mohms max.
 - Environmental:**
 Operating Temperature: - 40 °C ~ + 85 °C.
 - Mechanical Characteristics:**
 Mating Force & Unmating Force: 0.50 kgf ~ 3.0 kgf.
 - Material:**
 Insulator: Hi-Temp Plastic UL 94 V-0 Rated.
 Contact: Copper Alloy (t = 0.25).
 Fork: Copper Alloy (t = 0.30).
 - RoHS Compliant.**

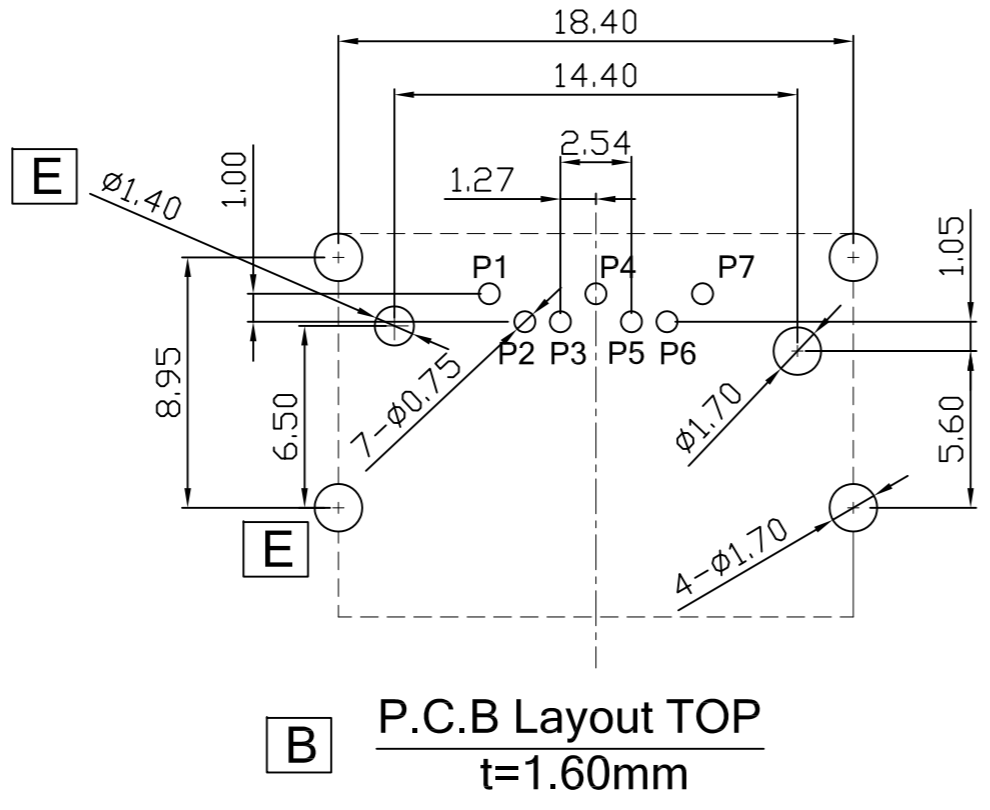
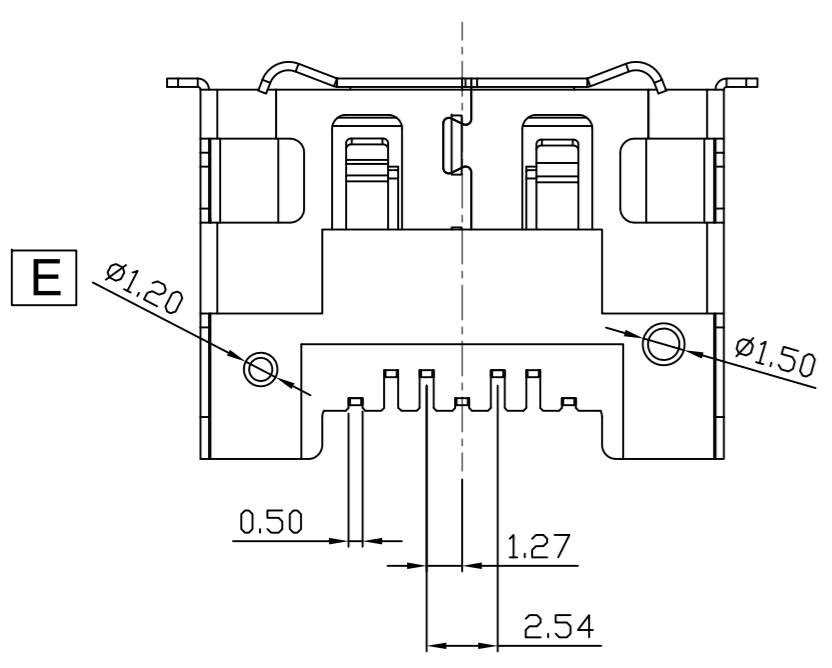
B

B



C

C



- ORDER INFORMATION:**
- ESAR - 1A 07 - B K X 3 T 1C**
 ① ② ③ ④ ⑤ ⑥ ⑦ ⑧
- CONNECTOR:**
 ESAR: eSATA R/A CONNECTOR
 - TYPE:**
 1A: THROUGH HOLE REVERSE TYPE
 - POSITIONS:**
 07: 7 POSITIONS
 - INSULATOR MATERIAL:**
 B: LCP
 - INSULATOR COLOR:**
 K: BLACK
 - CONTACT PLATING:**
 1: GOLD FLASH
 3: GOLD 5u"
 5: GOLD 15u"
 6: GOLD 30u"
 - SHIELD PLATING:**
 3: NICKEL PLATED
 - PACKING:**
 T: TRAY

E

E

E	UPDATED DRAWING AND REVISED PART NUMBER	Jeff	10/07/11'	TOLERANCE		 1015 GRANT STREET S.E. ATLANTA, GA 30315 a Genesis Electro-Mechanical Company	TITLE: eSATA THRU HOLE TYPE REVERSED PIN OUT					
D	REVISED ORDER INFORMATION	Jeff	09/29/11'	LINEAR	ANGLES		PART NO. ESAR-1A07-BKX3T1C					
C	CHANGE ORDER INFORMATION	AXL	5/1/08'	X. ±	X° ±		DWG NO. GTi08-30086					
B	CORRECT PIN OUT	AXL	3/17/08'	.X ± 0.38	.X° ±	APPD:	MAT'L:	UNITS SCALE SHEET REV				
A	ISSUED	AXL	3/10/08'	.XX ± 0.25	.XX° ±	CHKD:	FINISH:		MM	NONE	1 OF 1	E
REV	ECN NO.	NAME	DATE	.XXX ± 0.10	.XXX° ±	DRWN: AXL	Q'TY:					

1 2 3 4 5 6 7 8