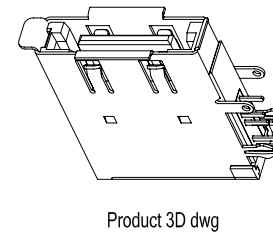
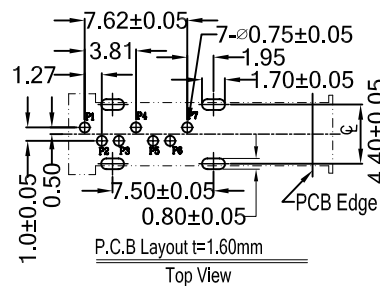
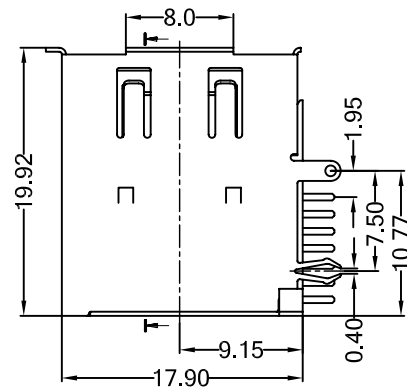
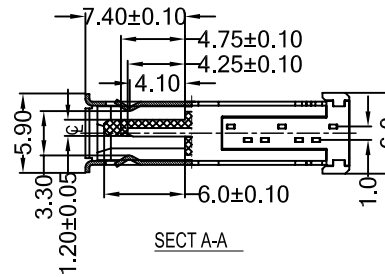
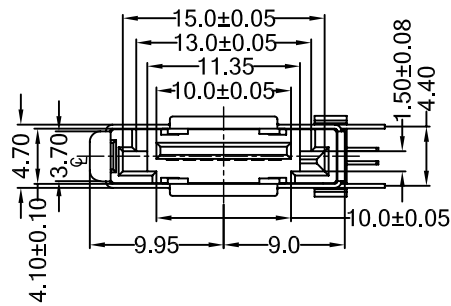


Signal Name	
Pin Number	eSATA
S1	GND
S2	A+
S3	A-
S4	GND
S5	B-
S6	B+
S7	GND

**NOTES:**

- Material  
Housing: Nylon46,UL 94-0 Rated;  
Contact: Brass;  
Plating: Gold plating over Nickel on contact area; Tin Plating on Solder Tail.
- Mechanical  
Insertion Force: 4,080g max;  
Withdrawal Force: 1,020g min;  
Durability: 2,500 cycles.
- Electrical Specification  
Current Rating: 1.5 Ampere per contact  
Contact Resistance: 30m OHM MAX  
Insulation Resistance: 1,000M OHM MIN  
Dielectric Withstanding Voltage:500VAC.
- Environmental  
Operating Temperature : -55°C to +125°C.



**ORDER INFORMATION**

ESAR- 1X 07 -C X X 3 T 1F  
① ② ③ ④ ⑤ ⑥ ⑦ ⑧

- CONNECTOR:  
ESAR: eSATA R/A CONNECTOR
- TYPE:  
11: MALE, DIP TYPE, UPRIGHT, DIM A=3.10mm  
12: MALE, DIP TYPE, UPRIGHT, DIM A=2.35mm
- POSITIONS:  
07: 7 POSITIONS
- INSULATOR MATERIAL:  
C: NYLON 46
- INSULATOR COLOR:  
K: BLACK  
1: YELLOW (810C)  
2: RED (187C)
- CONTACT PLATING:  
1: GOLD 1u"  
5: GOLD 15u"
- SHIELD PLATING:  
3: NICKEL PLATING
- PACKING:  
T: TRAY

RoHS Compliant

TOLERANCE	
LINEAR	ANGLES
X ±	X° ± 3°
.X ± 0.38	.X° ± 3°
.XX ± 0.25	.XX° ± 3°
.XXX ± 0.20	.XXX° ± 3°

**GENESIS TECHNOLOGY, INC**  
7F, No. 191, Sec. 2  
Chung-Yang Rd.,  
Tu-Cheng City  
Talpei Hsien, Taiwan  
A Genesis Electro-Mechanical Company

TITLE: eSATA UPRIGHT DIP TYPE

PART NO. ESAR-1X07-CXX3T1F

DWG NO. GTI09-25094

[A]	ISSUED	Vegas	08/14/09	.XX ± 0.25	.XX° ± 3°	APPD:	MAT'L:	DWG NO.	UNITS	SCALE	SHEET	REV
REV.	ECN NO.	NAME	DATE	.XXX ± 0.20	.XXX° ± 3°	CHKD:	FINISH:	①	MM	NONE	1 OF 1	A
						DRWN: Kathy-Tan	Q'TY:	②				