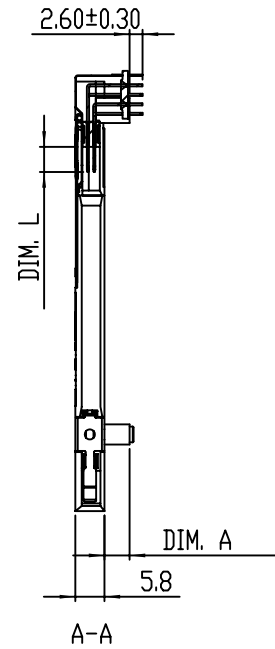
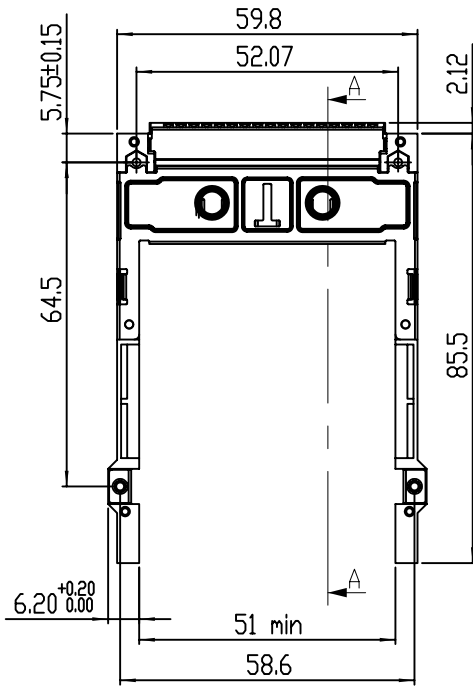


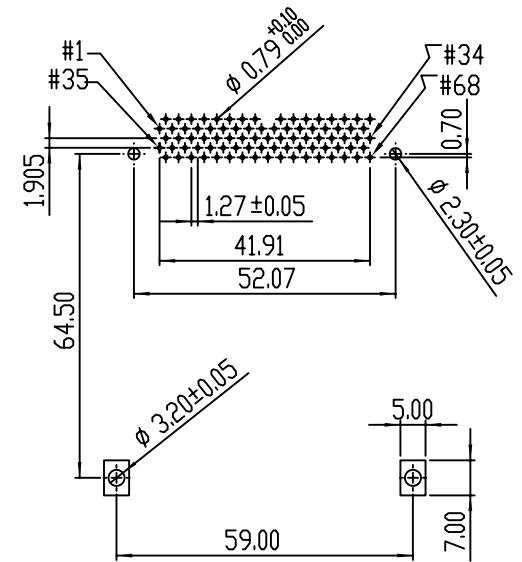
RoHS COMPLIANT



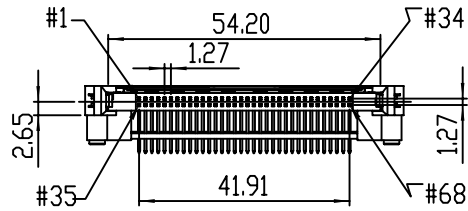
ORDER INFORMATION
GTI08-30301-XX

DIM. A ± 0.2

- 01 = 5.00
- 02 = 8.00
- 03 = 18.00
- 04 = 4.00
- 05 = 7.50



PCB LAYOUT : COMPONENT SIDE



PIN TYPE	DIM. L ±0.20	PIN NUMBER
DETECT	3.50 mm	36 , 67
GENERAL	4.25 mm	THE REST
POWER	5.00 mm	1, 17, 34, 35, 51, 68

TOLERANCE	
LINEAR	ANGLES
X. ±	X° ±
.X ± 0.30	.X° ±
.XX ± 0.20	.XX° ±
.XXX ± 0.10	.XXX° ±

GENESIS
TECHNOLOGY, INC. 1015 GRANT STREET S.E. ATLANTA, GA 30315
a Genesis Electro-Mechanical Company

TITLE: PCMCIA CONNECTOR
SCREW LEGS, THRU HOLE TYPE

PART NO. GTI08-30301-XX

DWG NO. GTI08-30301

[A]	ISSUED	AXL	9/5/08'	.XX ± 0.20	.XX° ±	APPD:	MAT'L:	DWG NO.	UNITS	SCALE	SHEET	REV
REV	ECN NO.	NAME	DATE	.XXX ± 0.10	.XXX° ±	CHKD:	FINISH:	Q'TY:	MM	NONE	1 OF 1	A