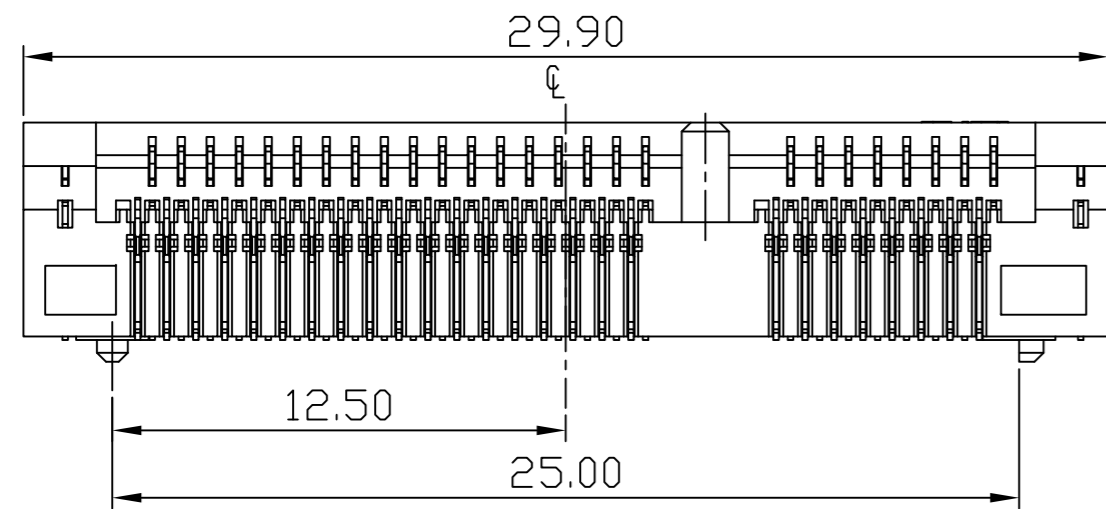
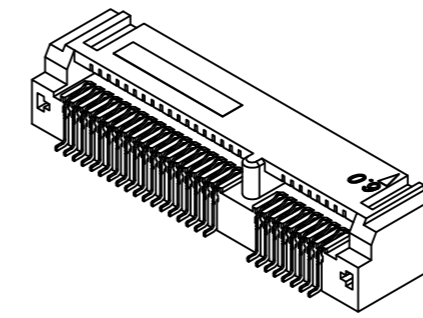
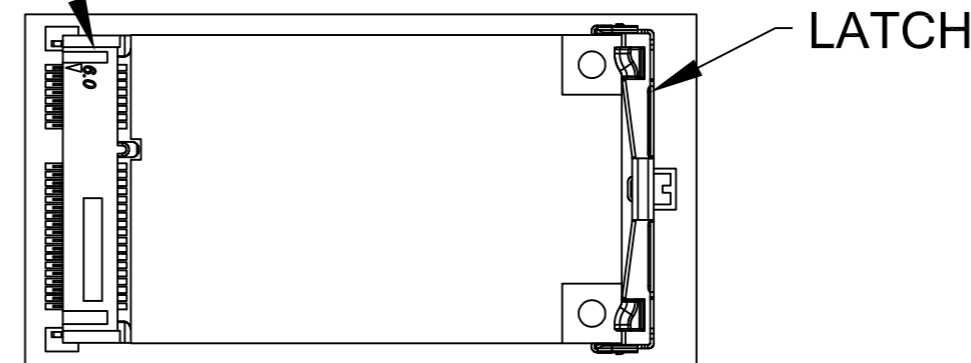


- C2** NOTES:
1. SOLDERTAIL TO BE WITHIN 0.05 UPWARD AND 0.2 DOWNWARD FROM Z-DATUM PLACE, AND COPLANARITY OF SOLDERTAILS TO BE WITH 0.10. MEASUREMENT POINT IS SOLDERTAILS TIP.
  2. THIS CONNECTOR TO BE USED WITH LATCH GT14-300203.
  3. RoHS COMPLIANT.

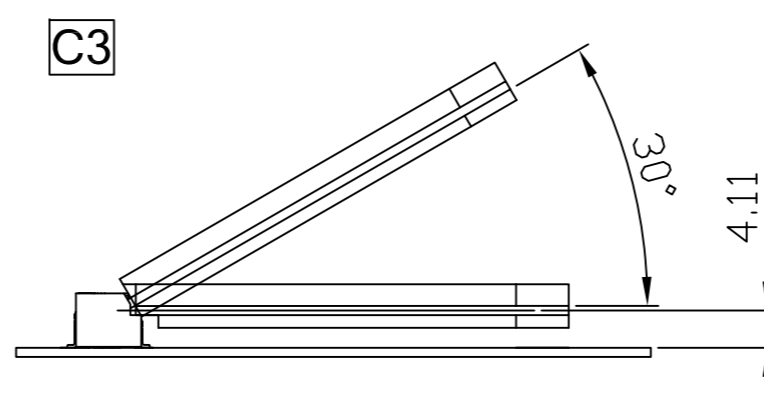


CONNECTOR

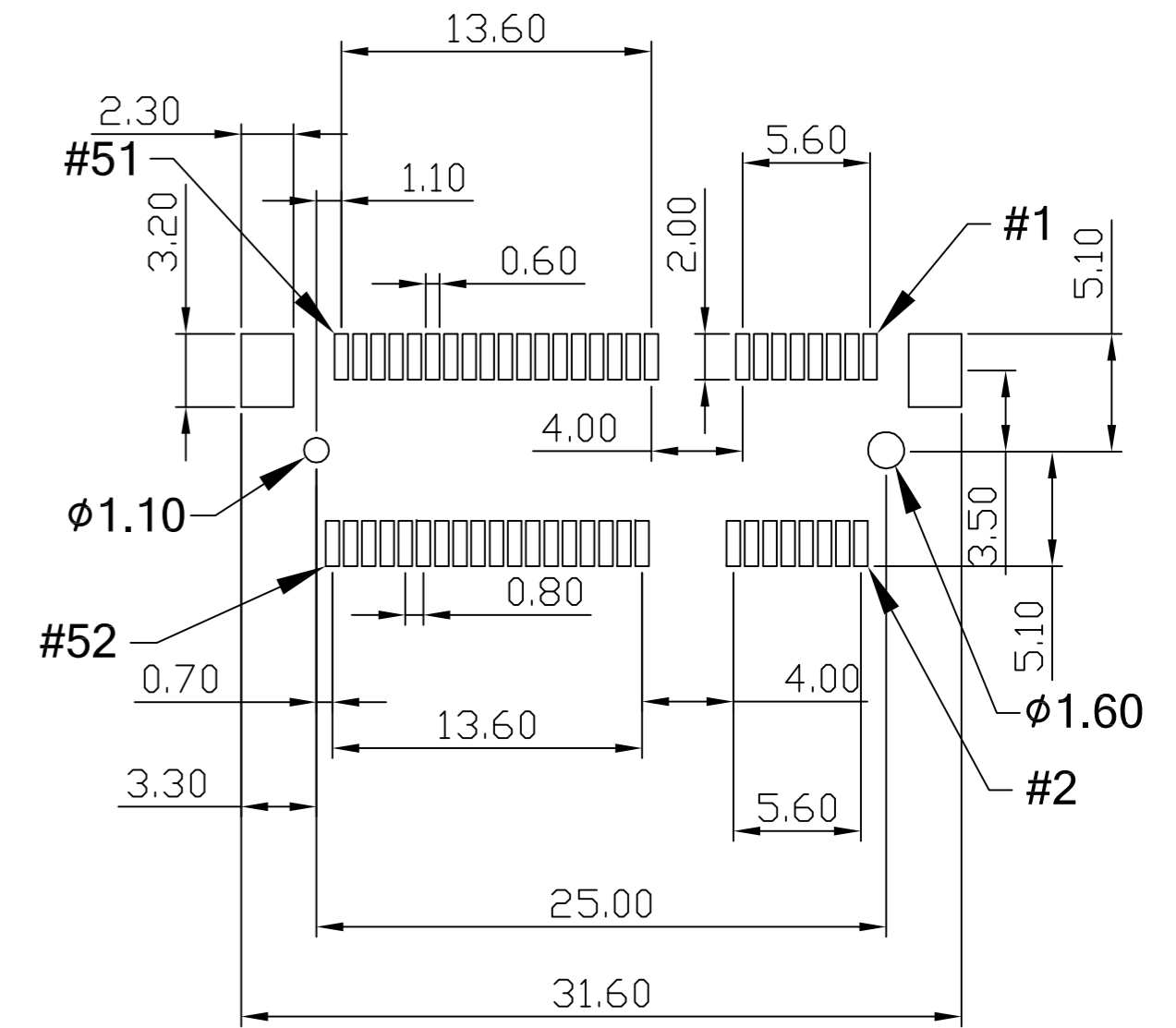


LATCH

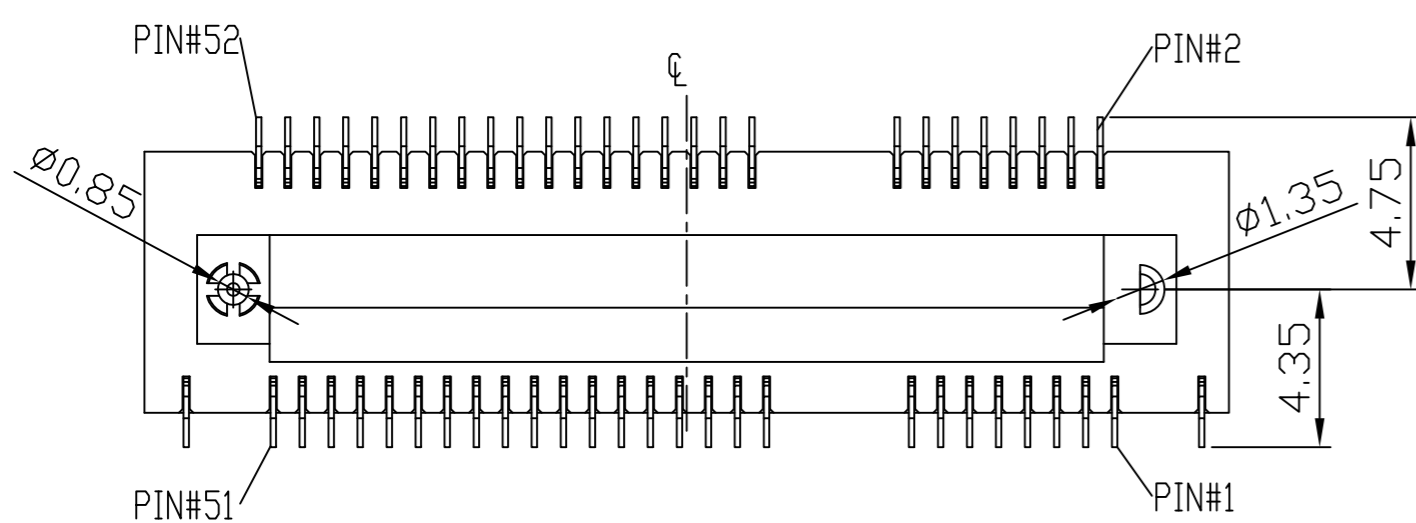
MOUNTING ON BOARD CONDITION



30DEGREE INSERTION CONDITION



RECOMMEND PCB LAYOUT  
TOLERANCE: ±0.05mm



TOLERANCE	
LINEAR	ANGLES
X. ± 0.30	X° ± 2.00°
.X ± 0.20	.X° ± 1.00°
.XX ± 0.10	.XX° ± 0.50°
.XXX ± 0.05	.XXX° ± 0.10°



TITLE: **C3**  
MINI PCI EXPRESS CONN. 6.0mm HEIGHT

PART NO. GTi08-30369

DWG NO. GTi08-30369

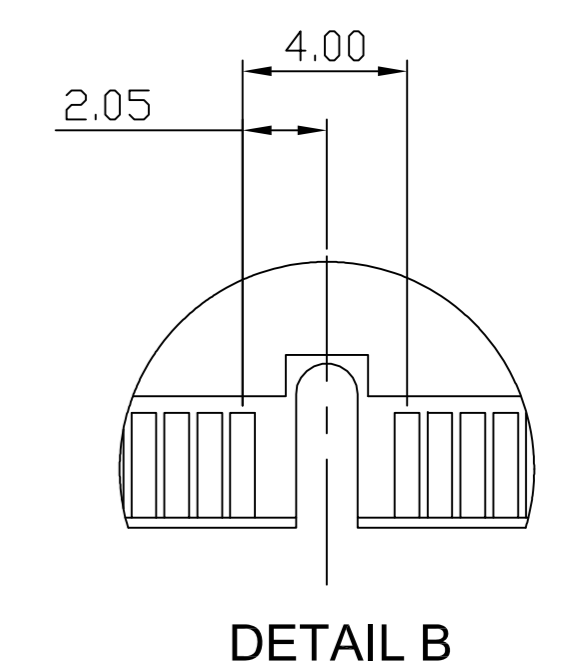
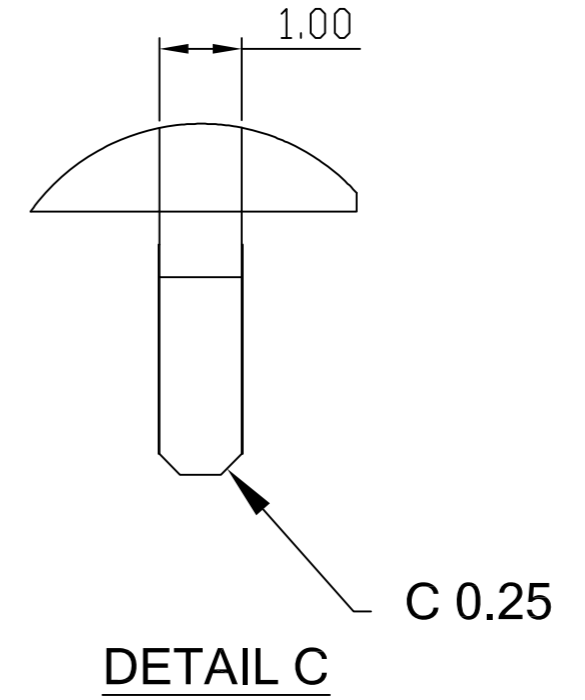
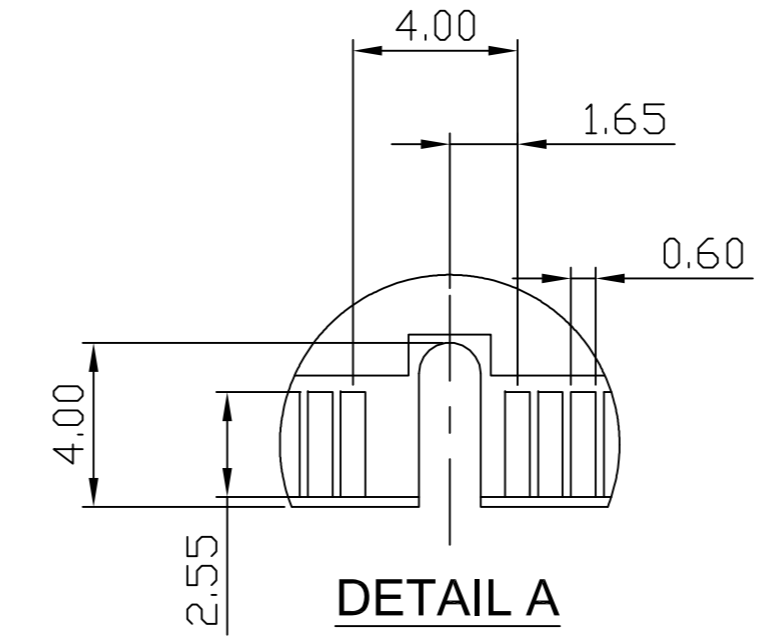
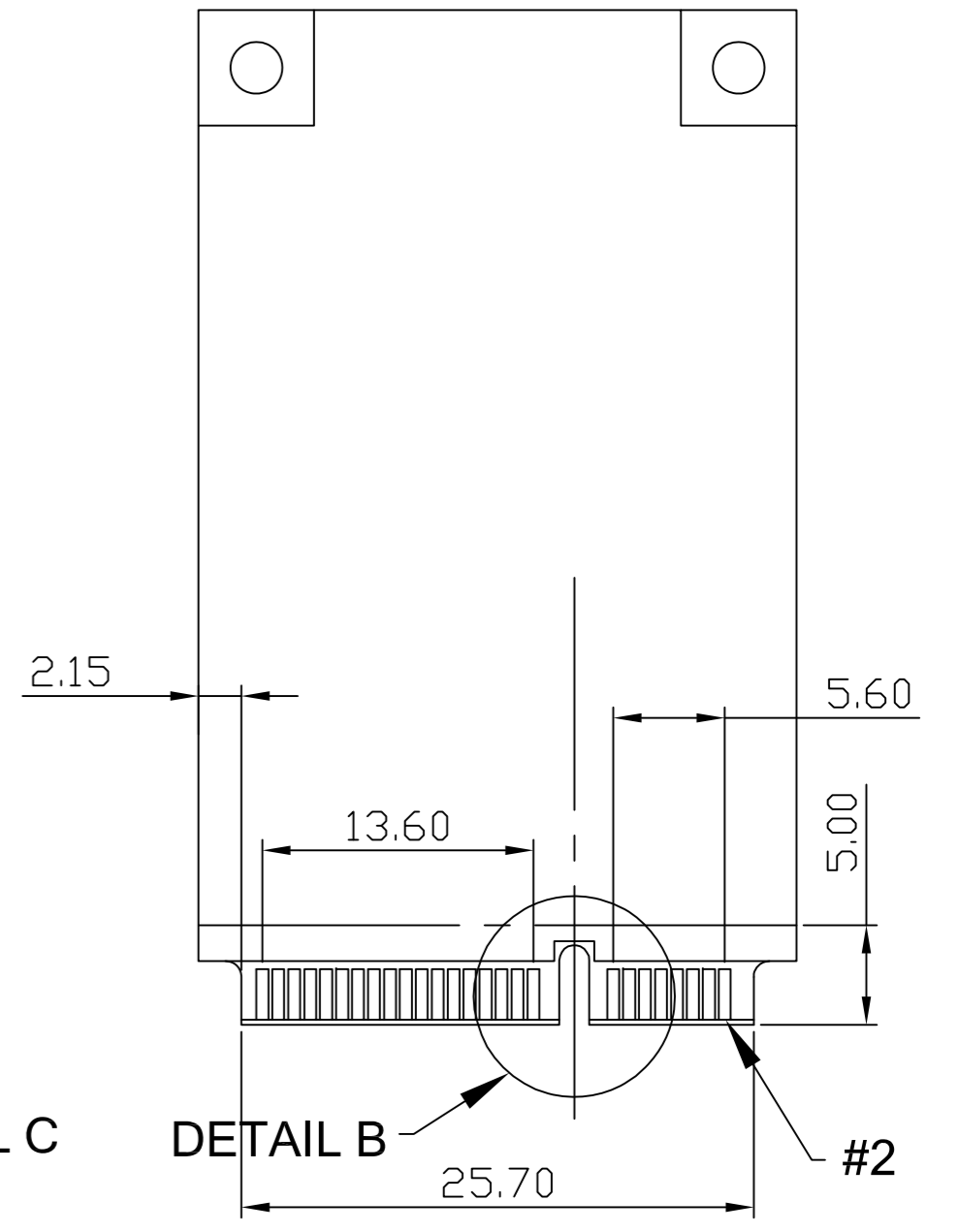
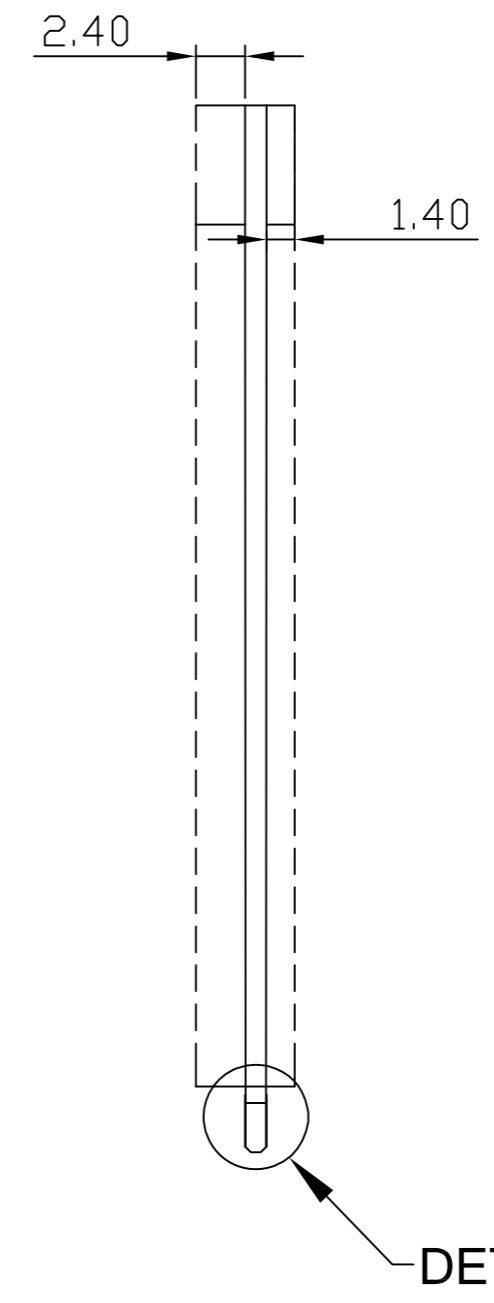
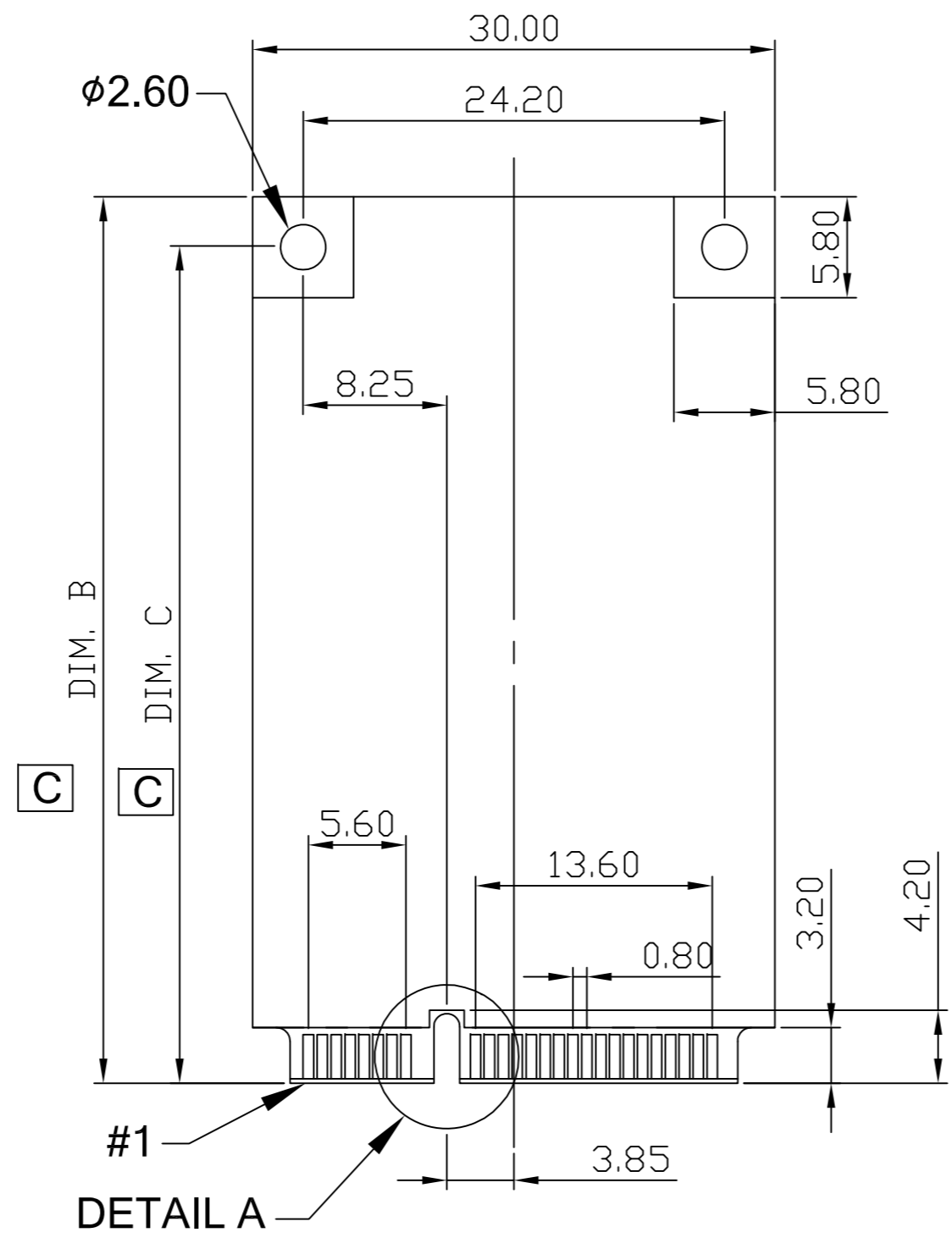
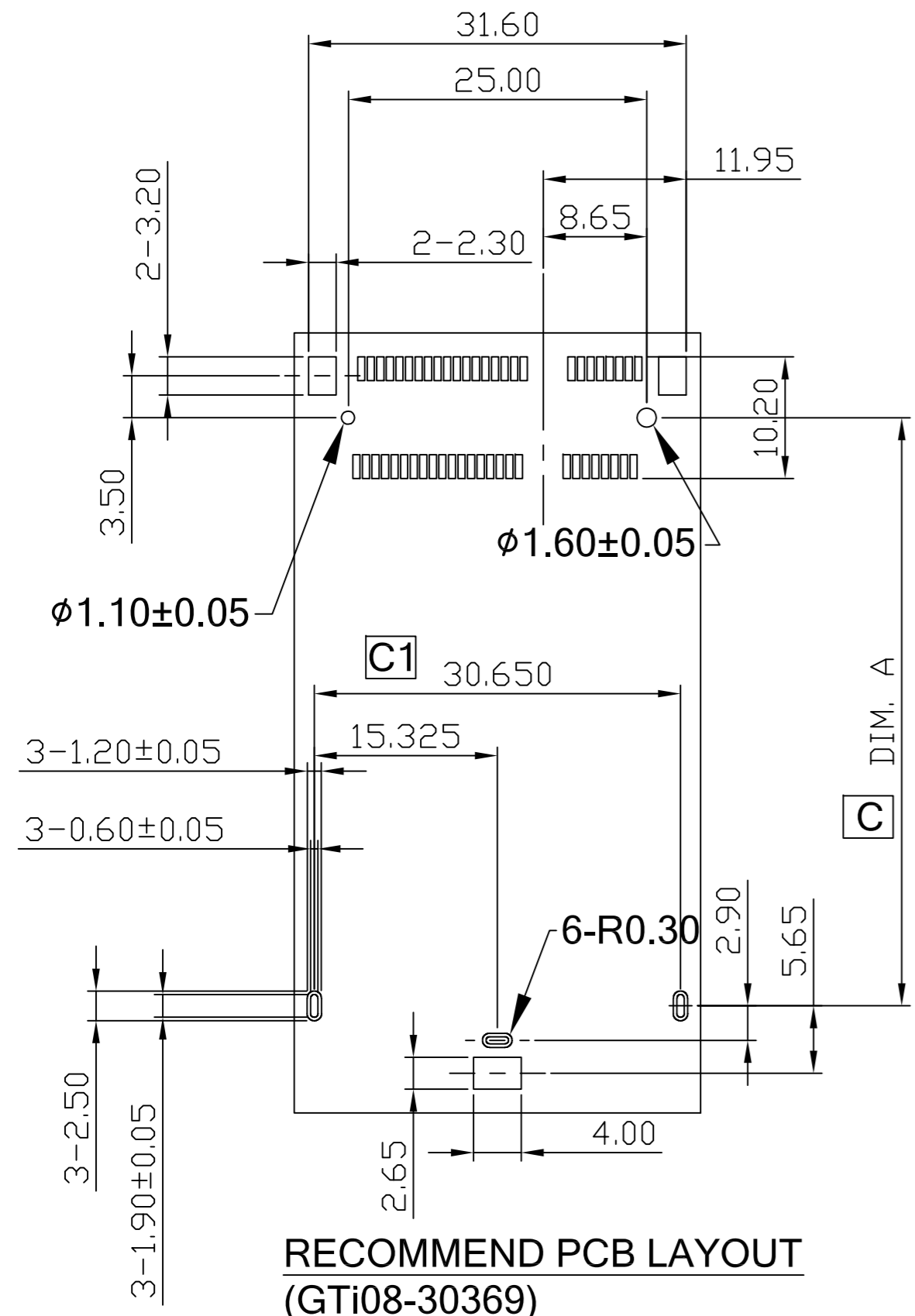
REV	SEE SHEET 2	ECN NO.	NAME	DATE
-----	-------------	---------	------	------

APPD: \_\_\_\_\_ MAT'L: \_\_\_\_\_

CHKD: \_\_\_\_\_ FINISH: \_\_\_\_\_

DRWN: FOX Q'TY: \_\_\_\_\_

UNITS	SCALE	SHEET	REV
MM	NONE	1 OF 2	C3



RECOMMEND PCB LAYOUT  
(GTi08-30369)

CARD TYPE	DIM. A	DIM. B	DIM. C
HALF-MINI CARD	25.10mm	26.80mm	23.90mm
FULL-MINI CARD	49.25mm	50.95mm	48.05mm

C3	UPDATED DRAWING AND TITLE	Jeff	09/28/11'
C2	REMOVED LATCH AND SHEET 3 FROM THE DRAWING	AXL	9/13/11'
C1	ADD DIMENSION	AXL	8/25/11'
C	ADD TABLE FOR FULL AND HALF MINI CARD LENGTH ON SHEET 2	AXL	8/23/11'
B	ADD SHEET 2 AND 3	AXL	2/12/09'
A	ISSUED	FOX	10/31/08
REV	ECN NO.	NAME	DATE



PART NO.	GTi08-30369	SHEET	REVISION
DWG NO.	GTi08-30369	2 OF 2	C3

B C2