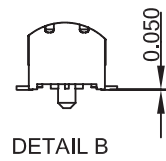
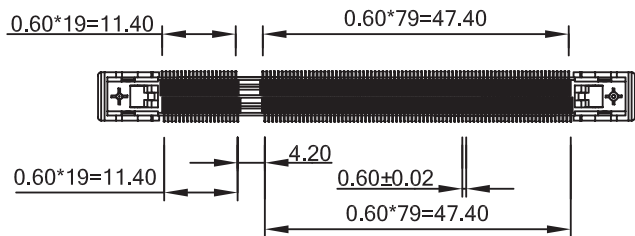


NOTES:  
1. RoHs COMPLIANT

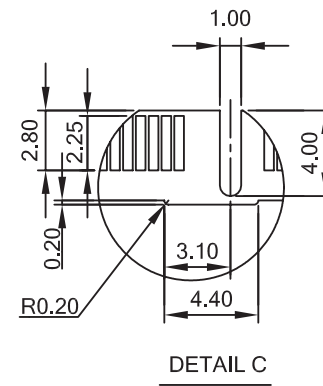
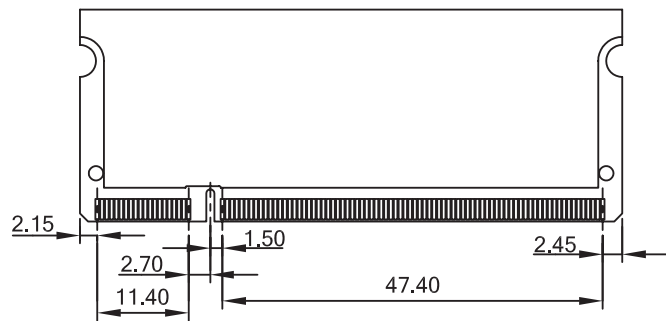
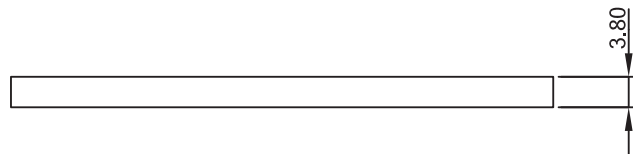
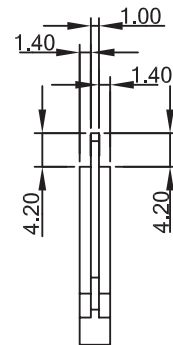
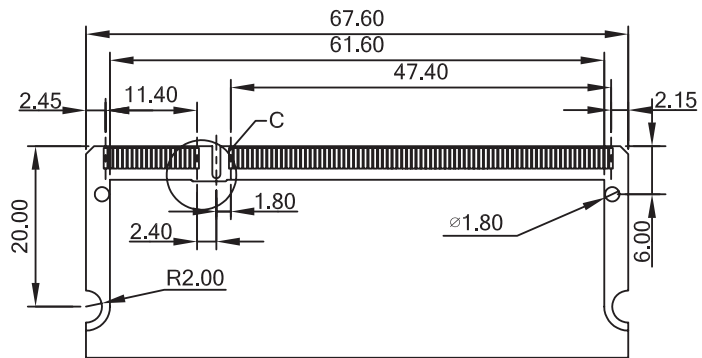


TOLERANCE	
LINEAR	ANGLES
X. ± 0.30	X° ± 2.00°
.X ± 0.20	.X° ± 1.00°
.XX ± 0.10	.XX° ± 0.50°
.XXX ± 0.05	.XXX° ±

**GENESIS TECHNOLOGY, INC.**  
1015 GRANT STREET S.E. ATLANTA, GA 30315  
a Genesis Electro-Mechanical Company

TITLE: VERTICAL DDR CONNECTOR-1.8V			
PART NO.		GTI08-30377	
DWG NO.		GTI08-30377	

[A]	ISSUED	FOX	11/07/08	.XX ± 0.10	.XX° ± 0.50°	APPD: APPROVED By AAV at 9:17 pm, 11/08	MAT'L:	FINISH:		UNITS	SCALE	SHEET	REV
REV	ECN NO.	NAME	DATE	.XXX ± 0.05	.XXX° ±	CHKD:	Q'TY:	DRWN: FOX		MM	NONE	1 OF 2	A



PART NO.	GT108-30377	SHEET	REVISION
DWG NO.	GT108-30377	2 OF 2	SEE SHEET 1