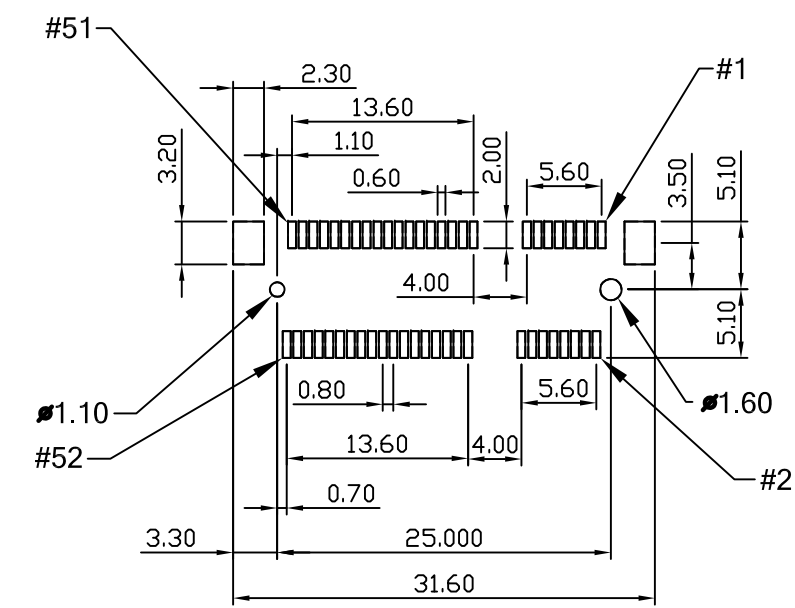
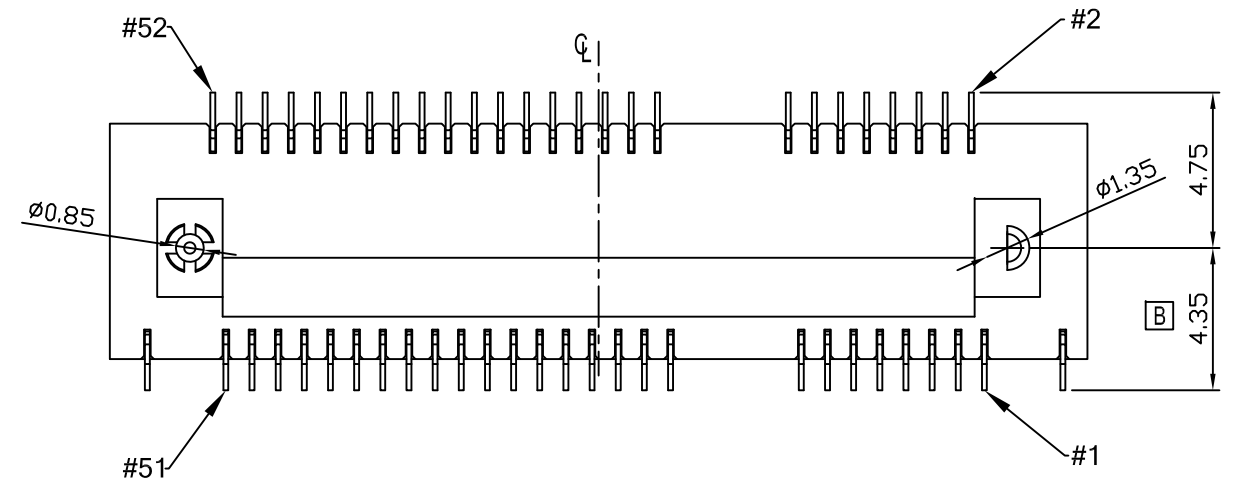
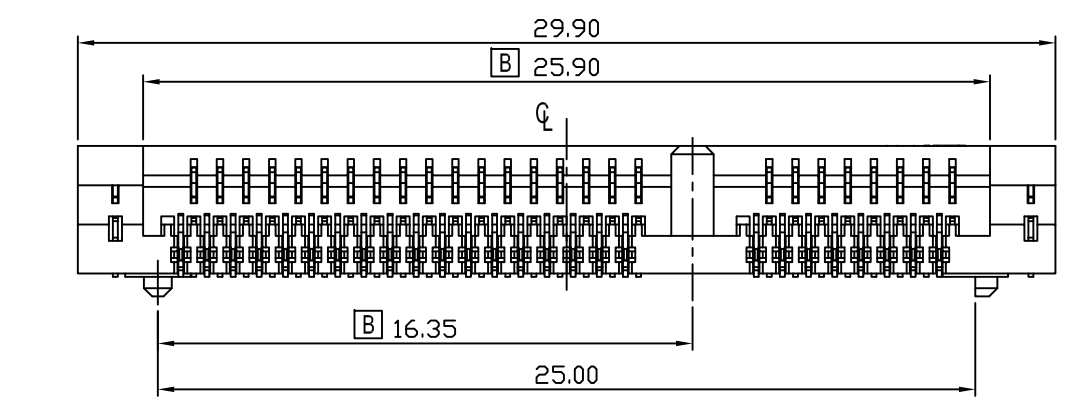
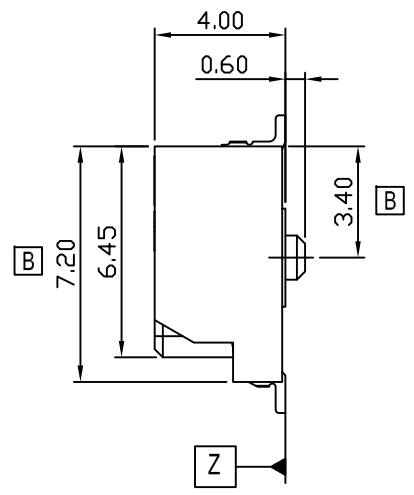
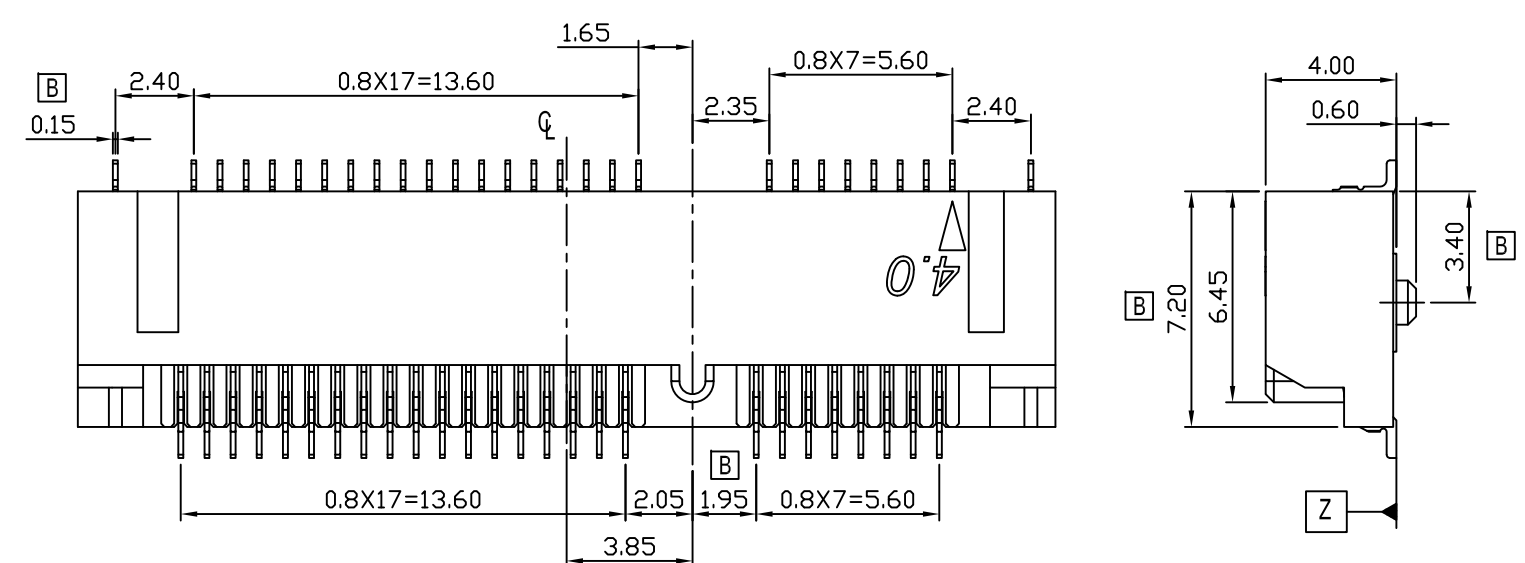


REV.	ECN. NO.	DESCRIPTION	ENG	DATE
A		ISSUED	FOX	7/15/10'
B		UPDATED DRAWING AND TITLE	Jeff	10/14/11'



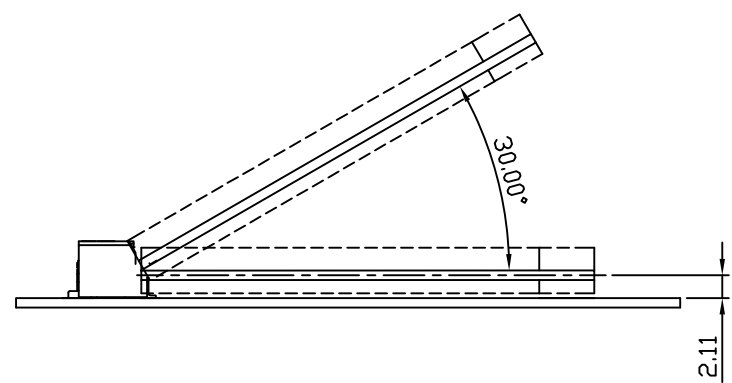
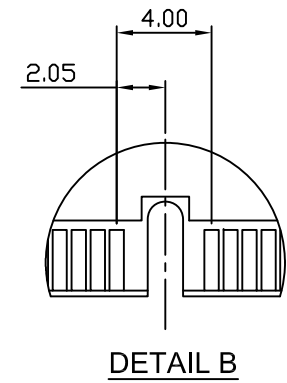
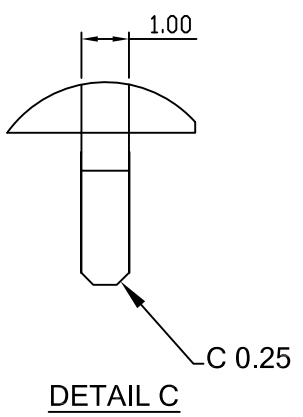
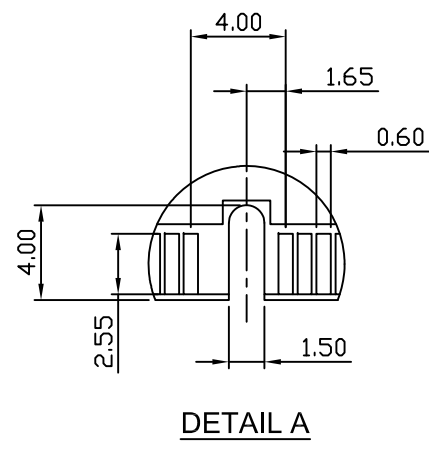
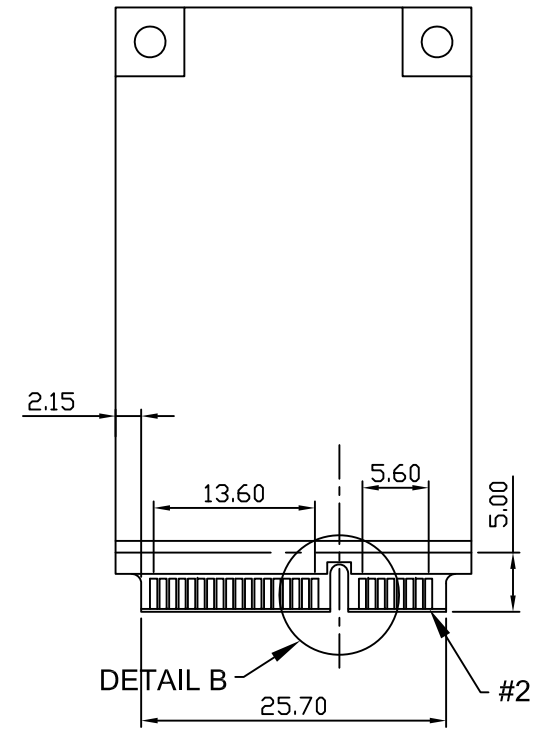
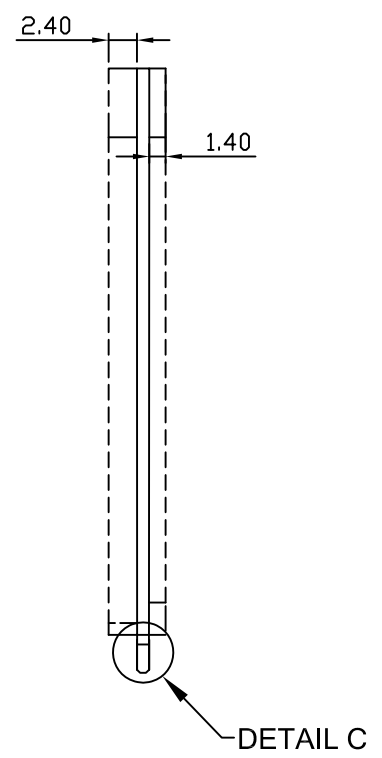
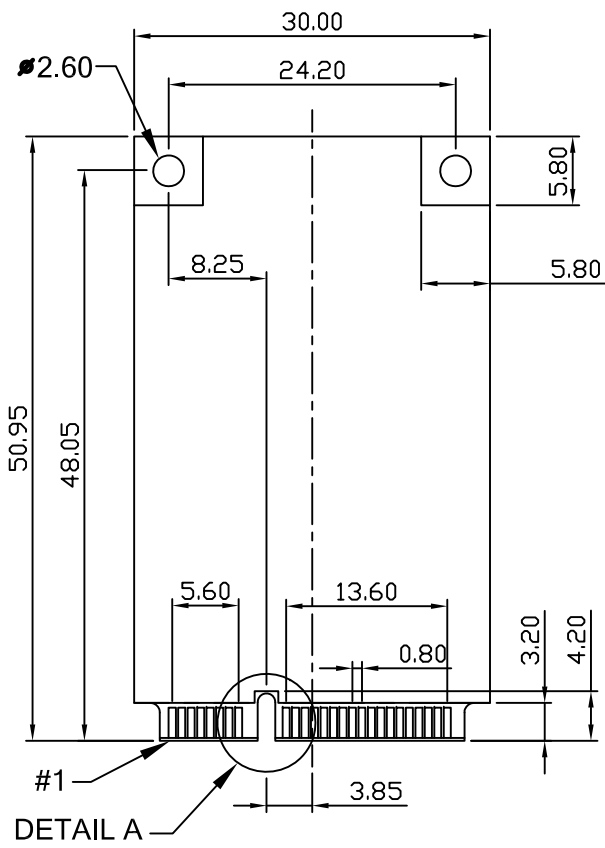
RECOMMEND PCB LAYOUT
TOLERANCE: ±0.05mm

NOTES:
1. SOLDER TAIL TO BE WITHIN 0.05 UPWARD AND 0.2 DOWNWARD FROM Z-DATUM PLACE, AND COPLANARITY OF SOLDER TAILS TO BE WITH 0.10. MEASUREMENT POINT IS SOLDER TAILS TIP.

RoHS Compliant

GENERAL TOLERANCE X.± 0.40 .X± 0.30 .XX± 0.20 .XXX±	ANGLE TOLERANCE X°± 2.00° .X°± 1.00° .XX°± 0.50° .XXX°± 0.10°	DRAWN FOX	DATE 7/15/10'	
MATERIAL SEE BOM		DESIGN	DATE	
FINISH SEE NOTES		CHECKED	DATE	PART NUMBER GTi10-30084
SCALE <i>N/A</i>	UNIT <i>mm</i>	APPROVED	DATE	DRAWING NO. GTi10-30084
SHEET 1 OF 2				SIZE <i>A4</i> REV. <i>B</i>

ITEM	NAME	Q'TY	DESCRIPTION	NOTE
1				
2				
3				
4				
5				



RoHS Compliant

GENERAL TOLERANCE X.± 0.40 .X± 0.30 .XX± 0.20 .XXX±	ANGLE TOLERANCE X°± 2.00° .X°± 1.00° .XX°± 0.50° .XXX°± 0.10°	DRAWN FOX	DATE 7/15/10'	
MATL SEE BOM	FINISH SEE NOTES	CHECKED	DATE	
SCALE N/A	UNIT mm	APPROVED	DATE	PART NUMBER. GTi10-30084
SHEET 2 OF 2				DRAWING NO. GTi10-30084
				SIZE A4
				REV. B