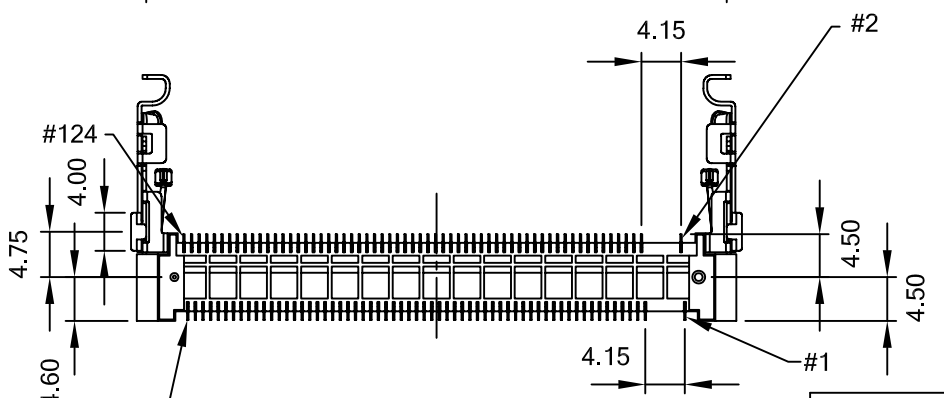
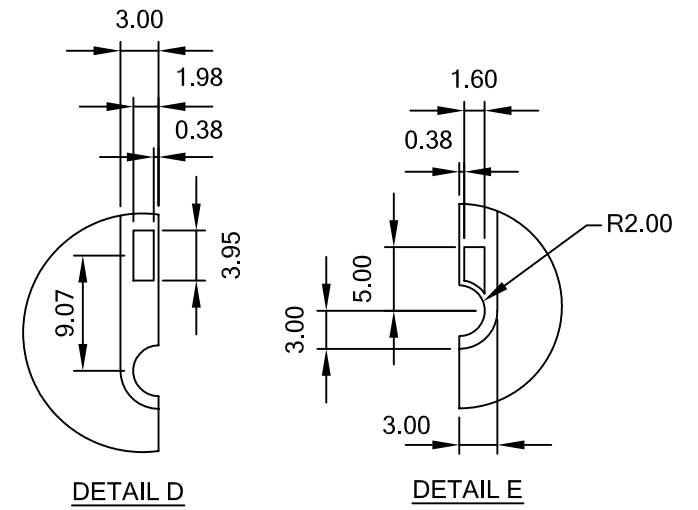
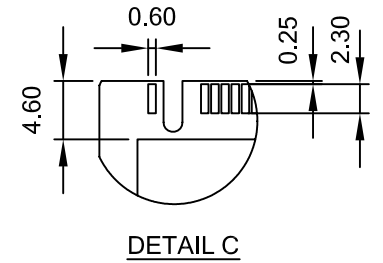
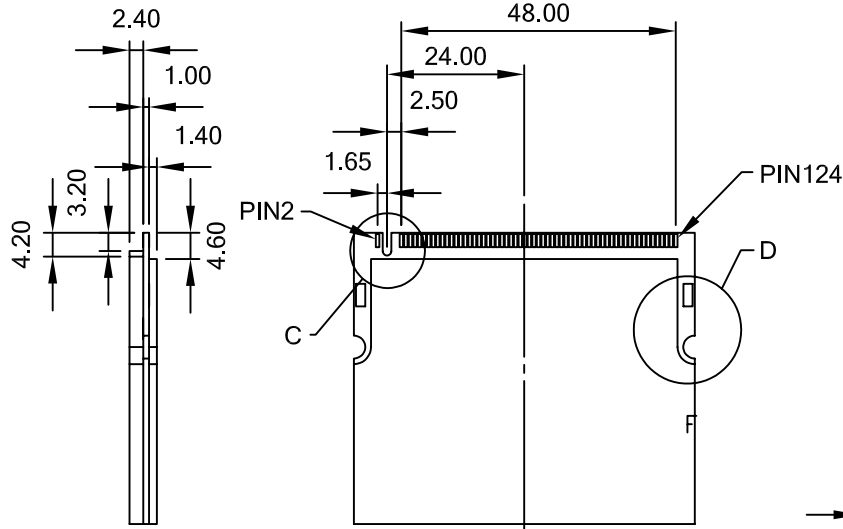
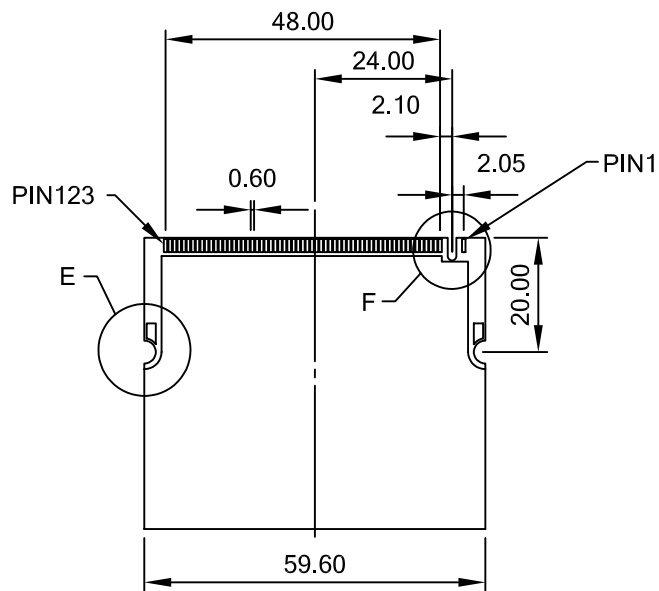


NOTES:  
 1. SOLDERTAIL TO BE WITHIN 0.05 UPWARD AND 0.2 DOWNWARD FROM Z-DATUM PLACE, AND COPLANALITY OF SOLDERTAILS TO BE WITHIN 0.12. MEASUREMENT POINT IS SOLDERDAIL TIP.  
 2. RoHS COMPLIANT.



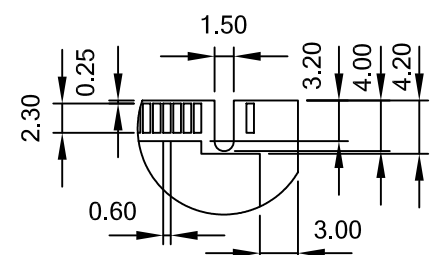
				TOLERANCE				TITLE: Mini PCI Socket Pitch 0.8mm 124 Positions			
				LINEAR	ANGLES			PART NO. MPIR-2X1A-BKX0X1			
[D]	CORRECTED DIMENSION A OPTION SELECTION	FOX	11/9/10'	X. ± 0.30	X° ± 2.00°			DWG NO. SC-10393			
[C]	ADD PART NUMBER	AXL	3/2/09'	.X ± 0.20	.X° ± 1.00°	APPD:	MAT'L:	UNITS	SCALE	SHEET	REV
[B]	CHANGE PART NUMBER	Vegas	11/5/08'	.XX ± 0.10	.XX° ± 0.50°	CHKD:	FINISH:	MM	NONE	1 OF 2	D
[A]	ISSUED	AXL	7/12/06'	.XXX ± 0.05	.XXX° ±	DRWN: AXL	Q'TY:				
REV	ECN NO.	NAME	DATE								





DETAIL D

DETAIL E



DETAIL F

**B** MPIR- 2X 1A - B K X 0 X 1  
**C** ① ② ③ ④ ⑤ ⑥ ⑦ ⑧

1. CONNECTOR:  
 MPIR: MINI PCI R/A CONNECTOR

**D** 2. TYPE (Dim. A Height):  
 20: 8.0mm, FEMALE, SMT  
 21: 9.2mm, FEMALE, SMT  
 22: 6.0mm, FEMALE, SMT  
 23: 5.6mm, FEMALE, SMT  
 25: 4.0mm, FEMALE, SMT

3. POSITIONS  
 1A: 124 POSTIONS

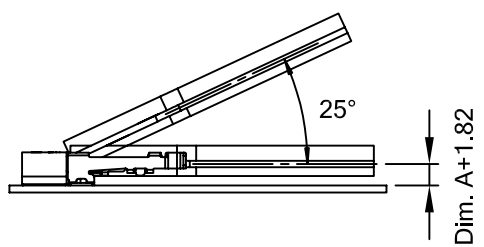
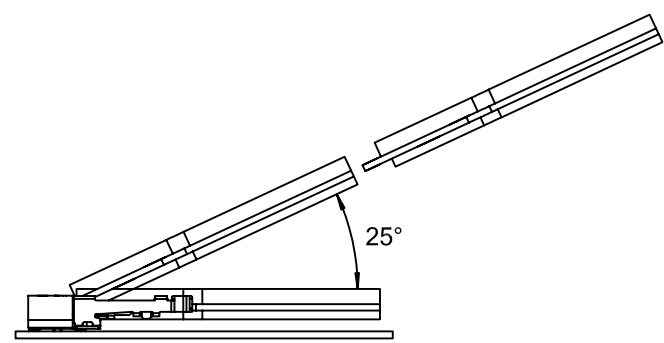
4. INSULATOR MATERIAL  
 B: LCP

5. INSULATOR COLOR  
 K: BLACK

6. CONTACT PLATING  
 1: GOLD FLASH  
 5: GOLD 15 u"  
 6: GOLD 30 u"

7. SHIELD PLATING  
 0: NONE SHIELD

8. SHIPPING PACKAGE  
 T: TRAY PACKING  
 R: TAPE REEL PACKING



PART NO.	MPIR-2X1A-BKX0X1	SHEET	2 OF 2	REVISION	SEE SHEET 1
DWG NO.	SC-10393				