

NOTES:

1. MATERIAL AND FINISH:

1-1. HOUSING:

LCP, UL94V-0.

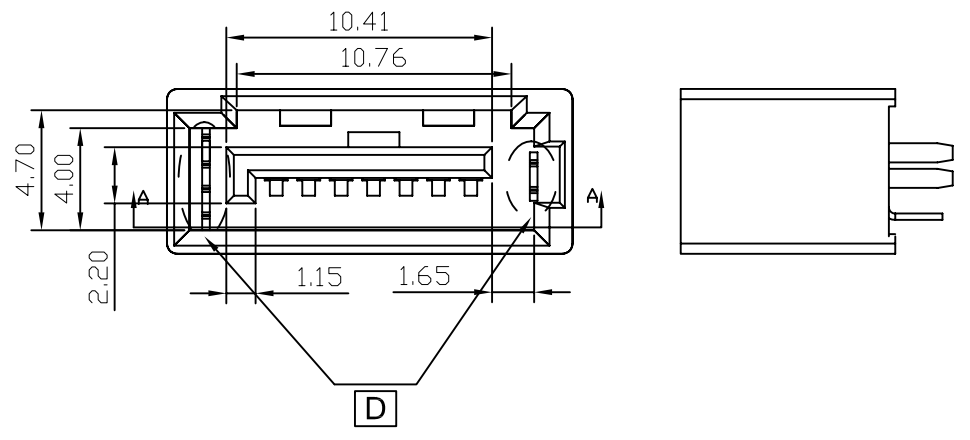
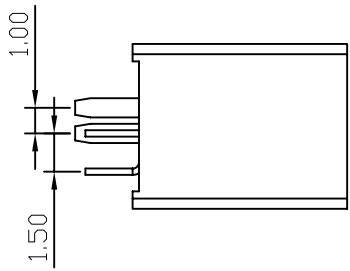
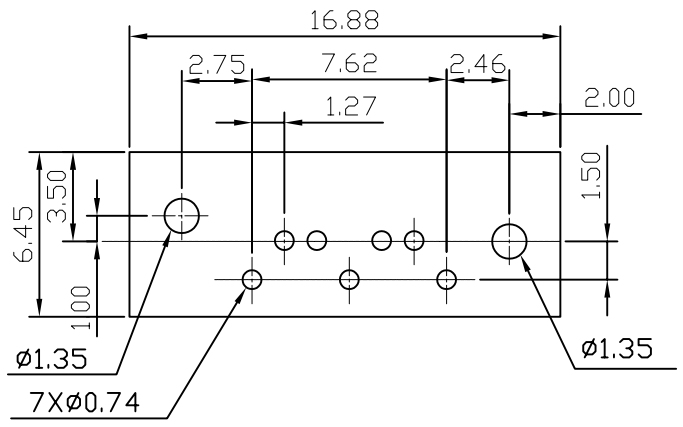
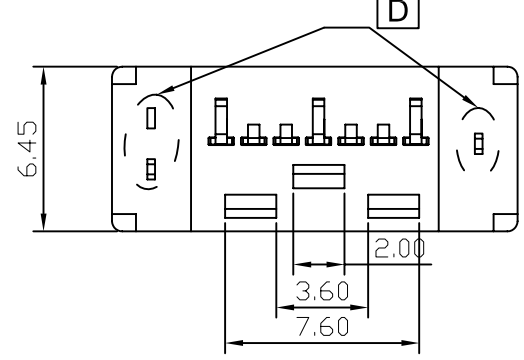
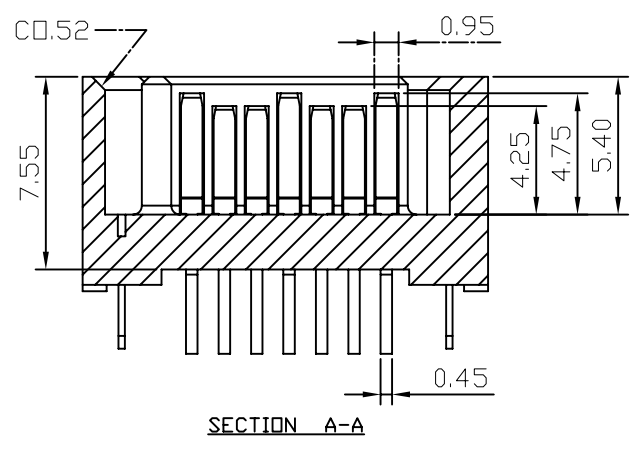
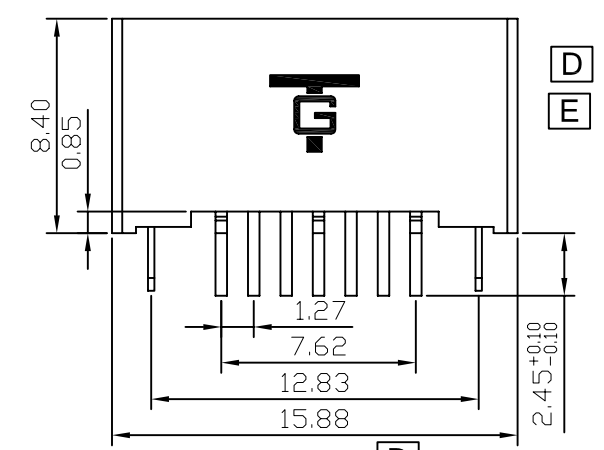
1-2. CONTACT:



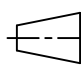
COPPER ALLOY, NICKEL PLATING OVER ALL, THICKNESS 50u" MIN.,
TIN PLATING OVER NICKEL, THICKNESS 100u"MIN. ON SOLDER AREA,
GOLD PLATING OVER NICKEL ON CONTACT AREA.

1-3. BOARD LOCK:

COPPER ALLOY, NICKEL PLATING OVER ALL, THICKNESS 50u" MIN.,
TIN PLATING OVER ALL, THICKNESS 100u"MIN..

2. RoHS COMPLIANT.



E	REMOVE LOGO DIMENSIONS	AXL	4/30/07'	TOLERANCE		 <small>1015 GRANT STREET S.E. ATLANTA, GA 30315</small>	TITLE: INTERNAL SATA CONN.					
D	REVISE BOARD LOCK AND ADD LOGO	AXL	1/17/07'	LINEAR	ANGLES		PART NO. SATA-1011					
C	ADD RoHS COMPLIANT	AXL	9/18/06'	X.±	X° ±		DWG NO. SC-10062					
B	UPDATED REV.	AXL	1/19/06'	.X±0.25	.X° ±	APPD:	MAT'L:	UNITS	SCALE	SHEET	REV	
A	ISSUED	AXL	8/9/05'	.XX±0.15	.XX° ±	CHKD:	FINISH:	 	MM	NONE	1 OF 1	E
REV	ECN NO.	NAME	DATE	.XXX±0.05	.XXX° ±	DRWN:AXL	Q'TY:					