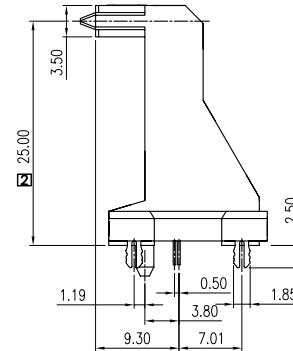
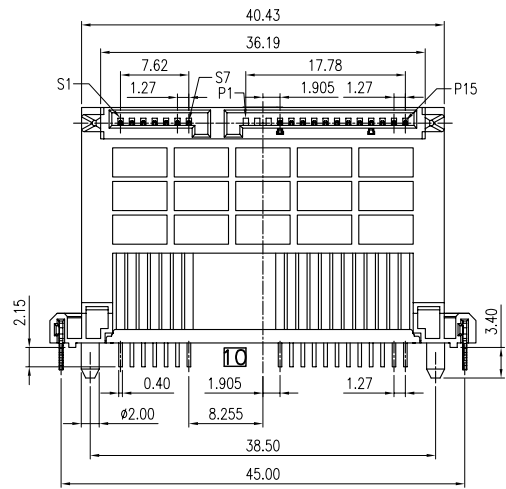
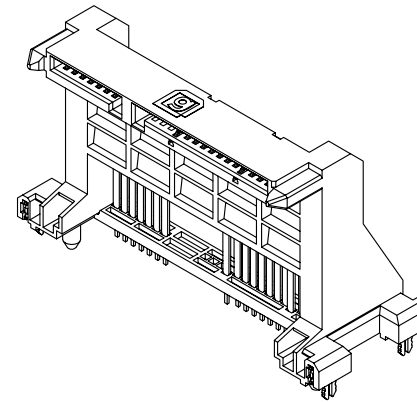
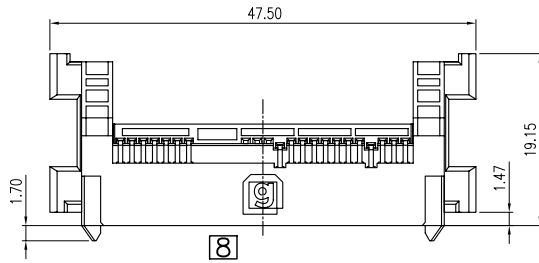


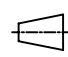


3 6 7 9



5

TOLERANCE		 <small>7F, No. 191, Sec. 2 Chung-Yang Rd., Tu-Cheng City Taipei Hsien, Taiwan</small>	TITLE: SATA 7+15 P CONNECTOR					
LINEAR	ANGLES		PART NO. SATR-2122-BK*0T01					
X.±0.50	X°.±3°	APPD: Allen	MAT'L:	DWG NO. GTI08-25105				
.XX±0.38	.X°.±3°	CHKD: Vegas	FINISH:	 	UNITS	SCALE	SHEET	REV
.XXX±0.10	.XXX°.±3°	DRWN: Daniel	Q'TY:		mm	NONE	10F2	10

TITLE: SATA 7+15 P CONNECTOR			
PART NO. SATR-2122-BK*0T01			
DWG NO. GTI08-25105			
UNITS	SCALE	SHEET	REV
mm	NONE	10F2	10

**NOTES:**

**1. Material:**

Housing: UL 94V-0 rated;  
 Contact: Phosphor Bronze  
 Plating: Gold Plating over Nickel on contact area.  
 Tin plating on Solder Tail.  
 Board Lock: copper alloy  
 Plating: Tin plating over all

**2. Mechanical**

Insertion Force:20N max.  
 Withdrawal Force:4N min.  
 Durability:500 cycles

**3. Electrical Specification**

Operation Voltage:100 VAC max.  
 Current Rating:1.5 Ampere per contact.  
 Contact Resistance:50 REF. Milliohms min.  
 Insulation Resistance: 1000 Megohms min.  
 Dielectric Withstanding Voltage: 500 VAC.

**4. Environmental**

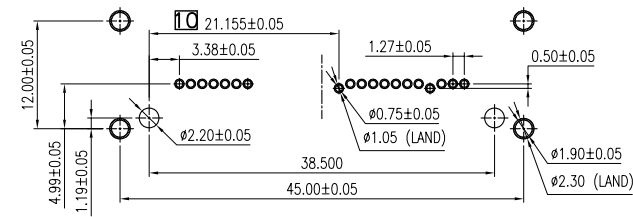
Operating Temperature:-40°C to+85°C  
 5. RoHS Compliant.

**ORDER INFORMATION:**

SATR-21 22 - B K \* 0 T 01  
 ① ② ③ ④⑤⑥⑦

- ① CONNECTOR:  
SATR: SATA
- ② POSITION:  
21: FEMALE, 7+15PIN, HIGH PROFILE
- ③ POSITION:  
22: 22 POSITIONS
- ④ INSULATOR MATERIAL:  
B: LCP, 94V-0
- ⑤ INSULATOR COLOR:  
K: BLACK
- ⑥ CONTACT PLATING:  
1: GOLD FLASH  
5: 15u" GOLD  
6: 30u" GOLD
- ⑦ SHIELD PLATING :  
0: NONE-SHIELD

10	DELETE PIN1~PIN3	Daniel	11/06/10'
9	MODIFY HOUSING	Daniel	04/19/10'
8	CHANGE LOGO AND PART NUMBER	Daniel	09/14/09'
7	MODIFY SPACER	Daniel	08/25/09'
6	REVISE DRAWING	Daniel	08/03/09'
5	REVISE TOLERANCE	Daniel	07/13/09'
4	ADD GOLD FLASH PLATING	Daniel	06/05/09'
3	MODIFY DESIGN	Daniel	12/11/08'
2	MODIFY DESIGN	Daniel	11/22/08'
1	ISSUED	Daniel	09/25/08'
REV.	ECN NO.	NAME	DATE



RECOMMENDED P.C.B MOUNTING DIMENSIONS

PART NO.	SATR-2122-BK*0T01	SHEET	REVISION
DWG NO.	GTI08-25105	20F2	10