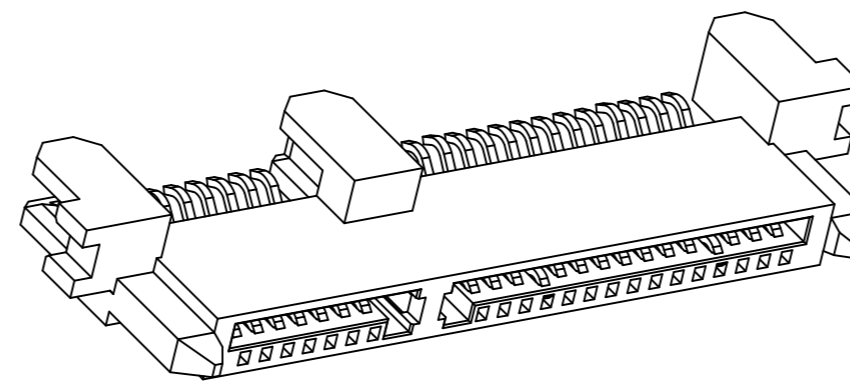
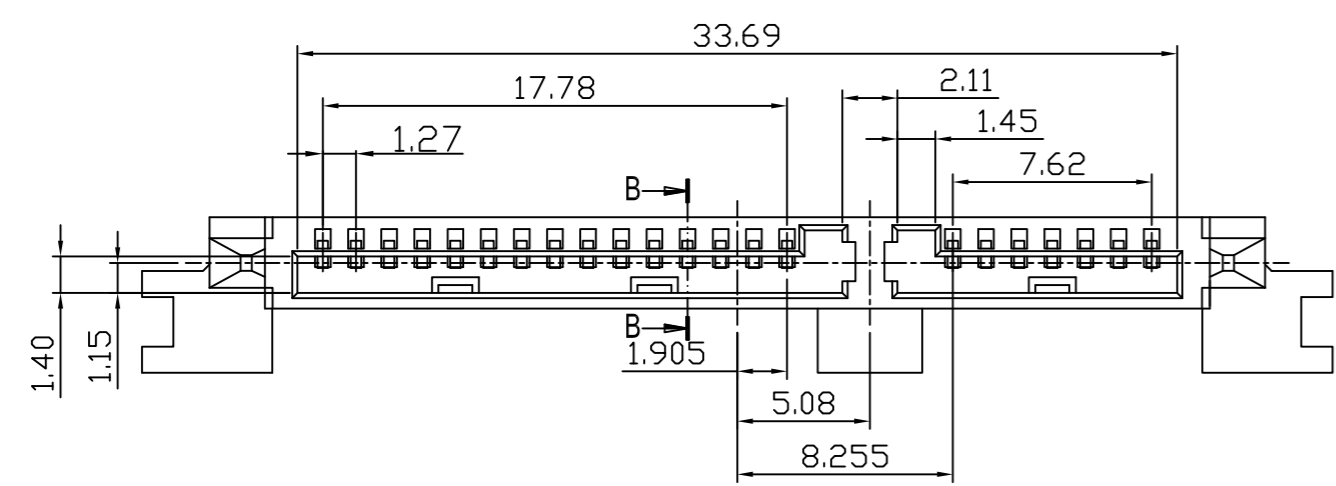
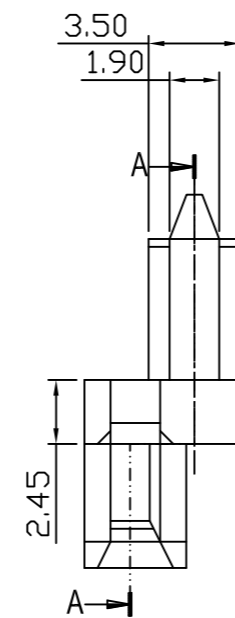
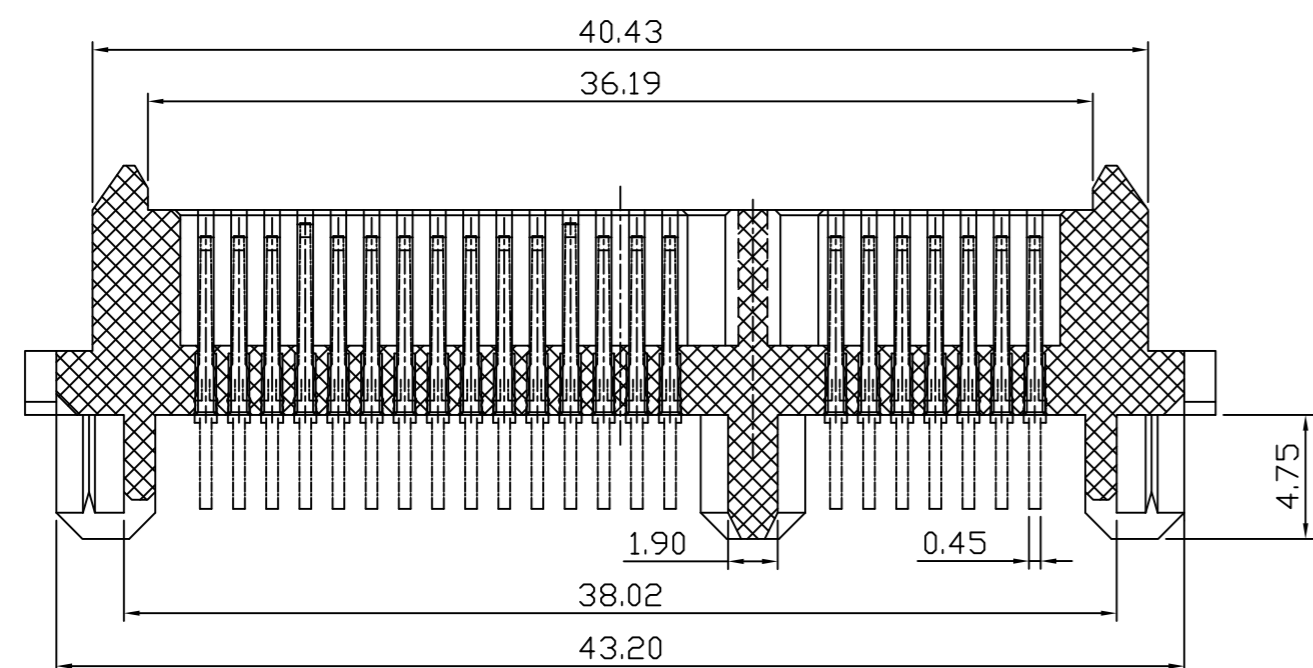


REV.	ECN. NO.	DESCRIPTION	ENG	DATE
X1		ISSUED	Jeff	07/15/11'



NOTES:

- MECHANICAL:**
 INSERTION FORCE: 45N MAX.
 WITHDRAWAL FORCE: 10N MIN.
 DURABILITY: 500 CYCLES
- ELECTRICAL:**
 CURRENT RATING: 1.5 AMPERE PER CONTACT
 CONTACT RESISTANCE: 30mΩ MAX.
 INSULATION RESISTANCE: 1000MΩ MIN.
 DIELECTRIC WITHSTANDING VOLTAGE: 500V AC
- OPERATING TEMPERATURE: -25°C TO +85°C**
- RoHS COMPLIANT**

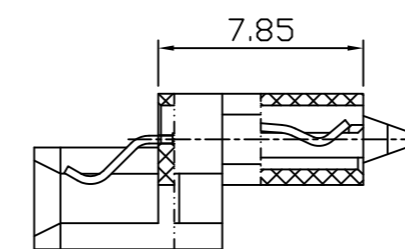
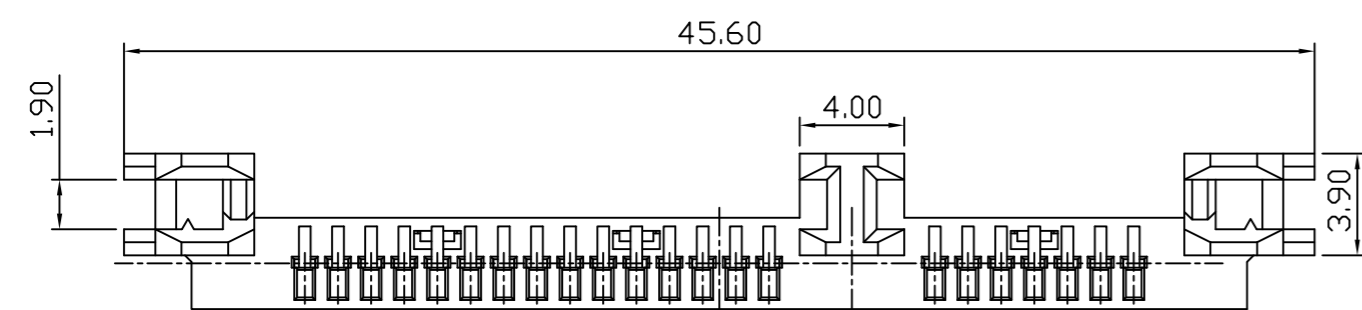


ORDER INFORMATION:

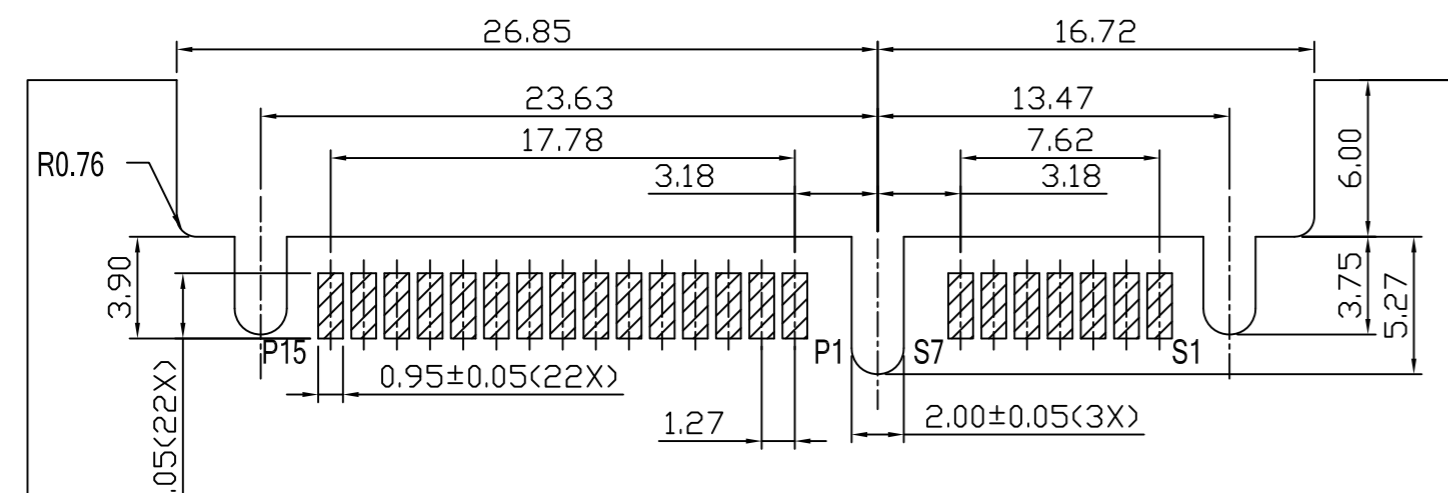
SATR - 2T 22 - B K 5 0 U 1F

① ② ③ ④ ⑤ ⑥ ⑦ ⑧

- CONNECTOR:**
SATR: SATA R/A CONNECTOR
- TYPE:**
2T: SATA 22P STRADDLE SMT FEMALE
- POSITIONS:**
22: 22 POSITIONS
- INSULATOR MATERIAL:**
B: LCP
- INSULATOR COLOR:**
K: BLACK
- CONTACT PLATING:**
5: GOLD 15u" MIN.
- SHIELD PLATING:**
0: WITHOUT SHIELD
- PACKING:**
U: TUBE



SECT B-B



PCB LAYOUT(T=1.60mm)
COMPONENT SIDE

PRELIMINARY
NOT RELEASED



GENERAL TOLERANCE	ANGLE TOLERANCE	DRAWN	DATE
X.±	X°±	Jeff	07/15/11'
.X± 0.38	.X°±	DESIGN	DATE
.XX± 0.25	.XX°±	CHECKED	DATE
.XXX± 0.20	.XXX°±	APPROVED	DATE

MATL	SEE BOM
FINISH	SEE NOTES
SCALE	N/A
SHEET 1 OF 1	UNIT mm

TITLE	SATA 22PIN FEMALE STRADDLE SMT (FOR PCB T=1.6mm)
PART NUMBER	SATR-2T22-BK50U1F
DRAWING NO.	GT14-200187

SIZE	A4
REV.	X1

ITEM	NAME	Q'TY	DESCRIPTION	MATERIAL	FINISH / COLOR	NOTE
2	CONTACT	22		PHOSPHOR BRONZE		GOLD 15u" MIN. ON CONTACT AREA, TIN 100u" MIN. ON SOLDER TAIL, NICKEL 40u" MIN. UNDERPLATING OVERALL
1	HOUSING	1		LCP+30%G.F.	COLOR BLACK	UL 94V-0