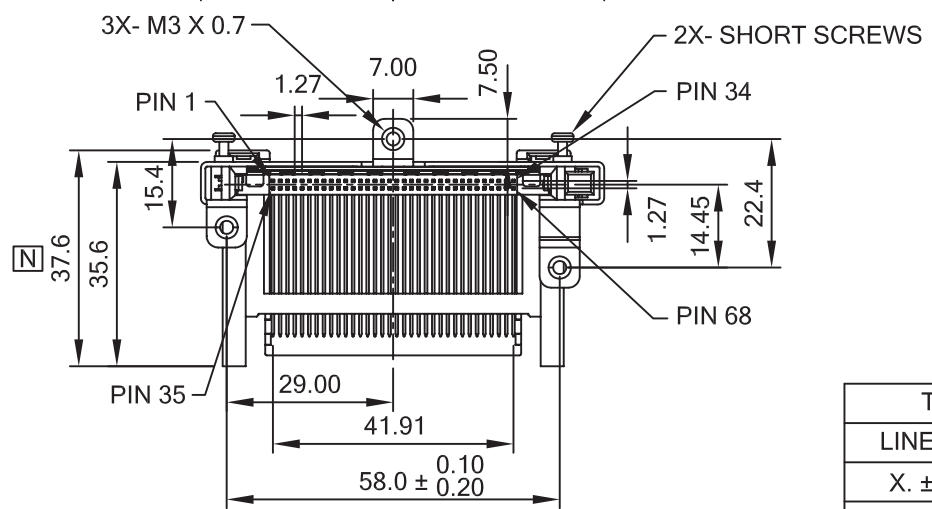


- [C] NOTES:**
- MATERIAL:**
    - [N] BASE, LATCH and CLIPS:** PBT + 30% GLASS FILLED ( UL94V-0 ).
    - CONTACT:** COPPER ALLOY.
    - BRACKET:** SPCC.
    - SCREWS:** LOW CARBON STEEL.
  - PLATING:**
    - [G] CONTACTS:** NICKEL PLATED 50u" OVER ALL.
    - [J] PCMCIA CONTACTS TO HEADER AREA:** SEE DETAIL A.
    - [K] PCMCIA CONTACTS TO CARD BUS AREA:** SEE DETAIL B.
    - BRACKET AND SCREWS:** NICKEL 50u" PLATED OVER ALL.
  - RoHS COMPLIANT.**
  - [H] M2 EFFECTIVE SCREW TORQUE:** 4 kg-cm.
  - SOLDERTAIL TO BE WITHIN 0.05 UPWARD AND 0.2 DOWNWARD FROM,Z-DATUM PLACE,AND COPLANALITY OF SOLDERTAILS TO BE WITHIN 0.12. MEASUREMENT POINT IS SOLDERTAILS TIP.**



**TABLE A**

PIN TYPE	DIM. L ± 0.2	PIN NUMBER
DETECT	3.50 mm	36, 67
GENERAL	4.25 mm	THE REST
POWER	5.00 mm	1, 17, 34, 35, 51, 68

TOLERANCE	
LINEAR	ANGLES
X. ± 0.30	X° ±
.X ± 0.20	.X° ±
.XX ± 0.10	.XX° ±
.XXX ±	.XXX° ±

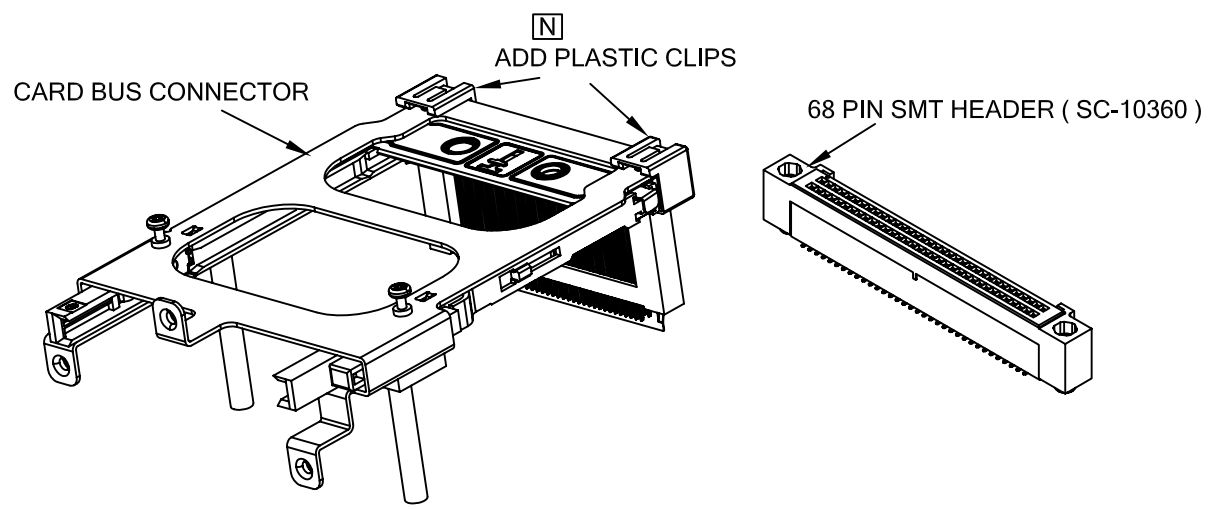
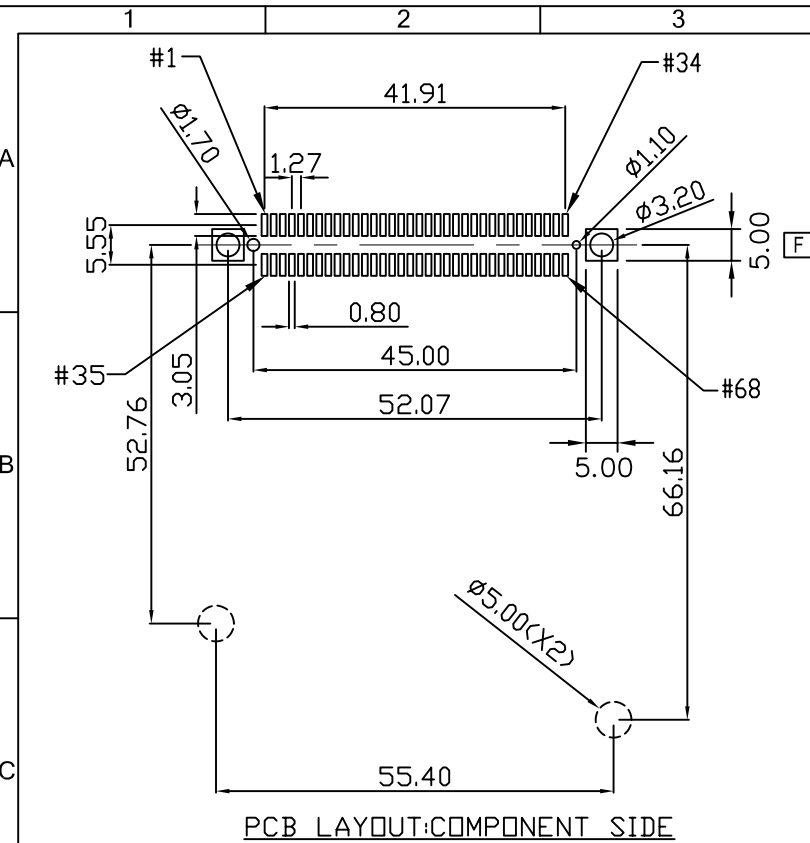


TITLE: CABLE CARD,  
PCMCIA SOCKET SET EXPLORER

PART NO. SC-10359-XX-XX

DWG NO. SC-10359

<input type="checkbox"/>	SEE SHEET 2 FOR REVISION					APPD:	MAT'L:		UNITS	SCALE	SHEET	REV
REV	ECN NO.	NAME	DATE	.XXX ±	.XXX° ±	CHKD:	FINISH:		MM	NONE	1 OF 3	N
				.XXX ±	.XXX° ±	DRWN: AXL	Q'TY:					

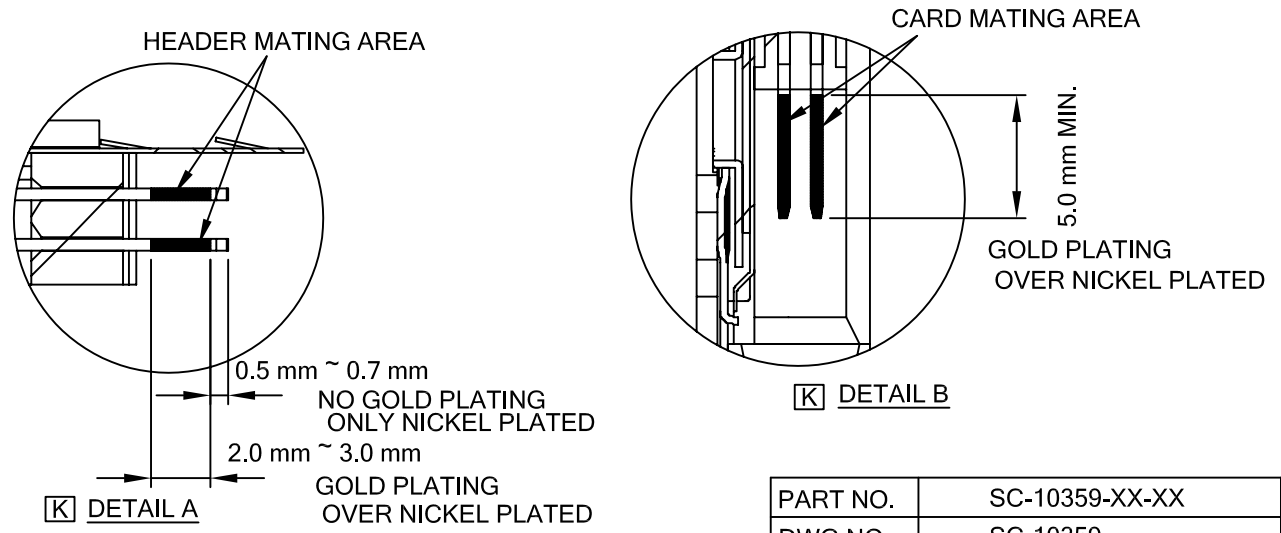


**I** ORDER INFORMATION  
**G** SC-10359-XX- XX  
**D**

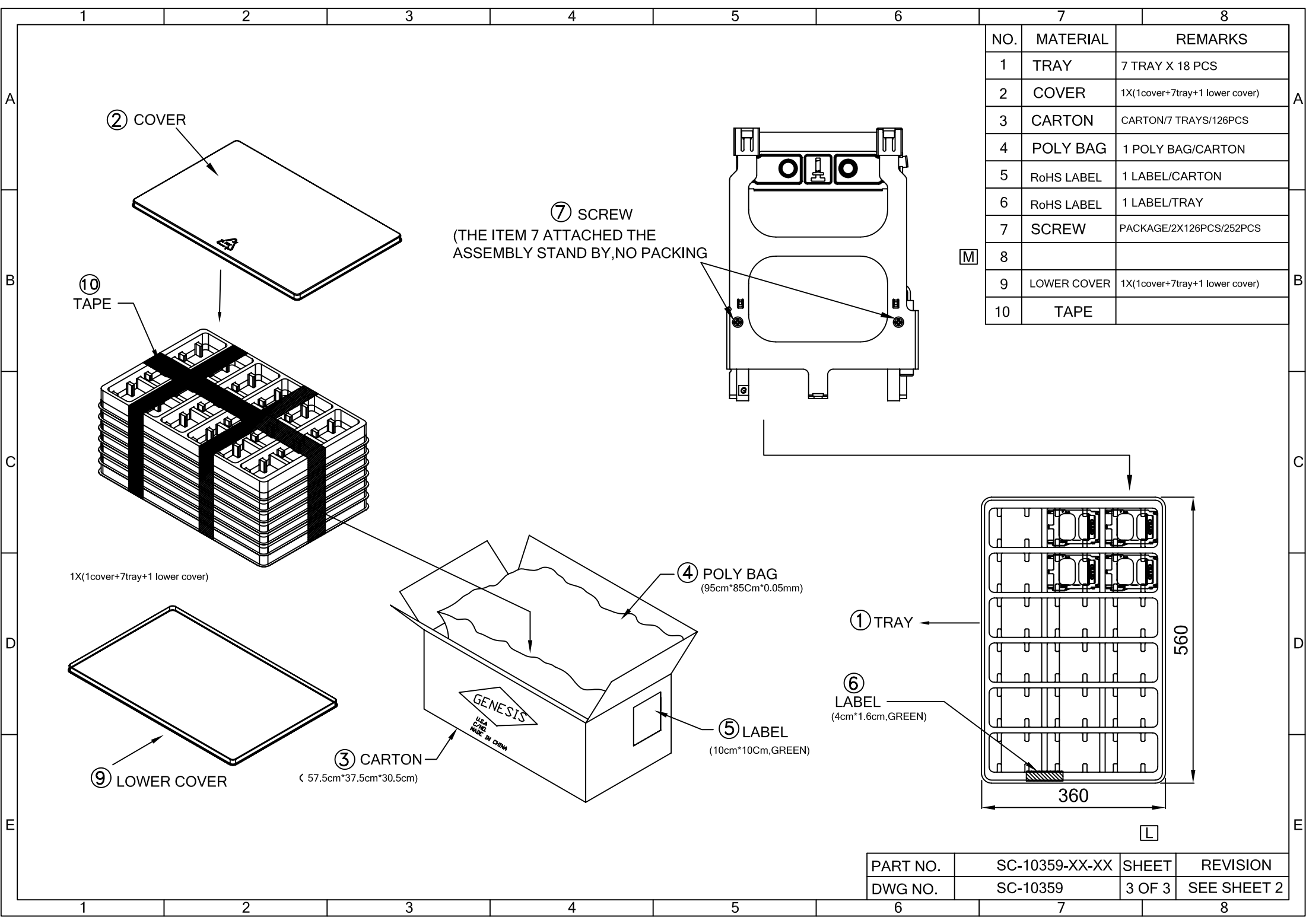
**N** SELECTIVE GOLD PLATING OPTION  
 S1: GOLD FLASH (0.8u" min.) ON CARD AND HEADER MATING AREA.  
 S2: GOLD 15u" ON CARD MATING AREA  
 GOLD FLASH (0.8u" min.) ON HEADER MATING AREA.

01: CARD BUS CONNECTOR ONLY  
 02: CARD BUS AND 68P HEADER SET

<b>N</b>	ADD PLASTIC CLIPS	AXL	12/1/08'
<b>M</b>	SHEET 1: ZONE A7, REMOVE LONG SCREWS, ZONE A5, ADD LOCKING FEATURE. SHEET 3: ZONE B7, REMOVE ITEM 8 FROM BOM.	AXL	10/15/07'
<b>L</b>	ADD PACKAGE ON SHEET 3	AXL	9/17/07'
<b>K</b>	ADD DETAIL A AND B	AXL	3/7/07'
<b>J</b>	ADD CAPTIVE SCREWS	AXL	2/6/07'
<b>I</b>	REVISE ORDER INFORMATION	AXL	11/7/06'
<b>H</b>	ADD NOTES 4 SCREW TORQUE	AXL	11/2/06'
<b>G</b>	REVISE ORDER INFORAMTION	AXL	11/1/06'
<b>F</b>	ADD PAD ON PCB LAYOUT	AXL	10/26/06'
<b>E</b>	CORRECT PIN LENGTH WAS 7.50	AXL	8/22/06'
<b>D</b>	CHANGE BRACKET AND GUIDE	AXL	8/21/06'
<b>C</b>	CHANGE BRACKET	AXL	8/2/06'
<b>B</b>	CHANGE HEIGHT TO 29mm	AXL	7/25/06'
<b>A</b>	ISSUED	AXL	6/21/06'
REV	ECN NO.	NAME	DATE



PART NO.	SC-10359-XX-XX	SHEET
DWG NO.	SC-10359	2 OF 3



NO.	MATERIAL	REMARKS
1	TRAY	7 TRAY X 18 PCS
2	COVER	1X(1cover+7tray+1 lower cover)
3	CARTON	CARTON/7 TRAYS/126PCS
4	POLY BAG	1 POLY BAG/CARTON
5	RoHS LABEL	1 LABEL/CARTON
6	RoHS LABEL	1 LABEL/TRAY
7	SCREW	PACKAGE/2X126PCS/252PCS
8		
9	LOWER COVER	1X(1cover+7tray+1 lower cover)
10	TAPE	

PART NO.	SC-10359-XX-XX	SHEET	REVISION
DWG NO.	SC-10359	3 OF 3	SEE SHEET 2