

1 2 3 4 5 6 7 8

A

B

C

D

E

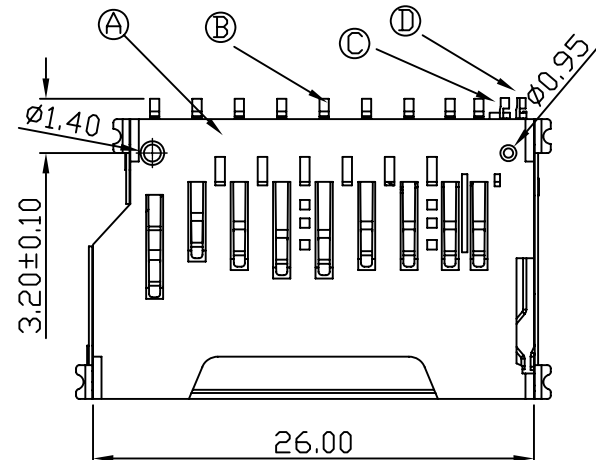
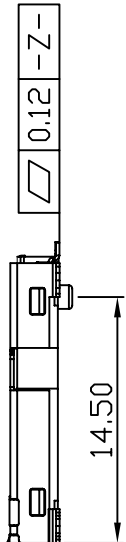
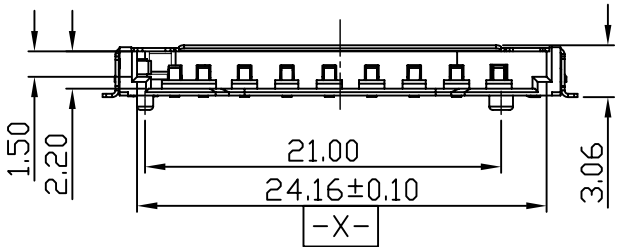
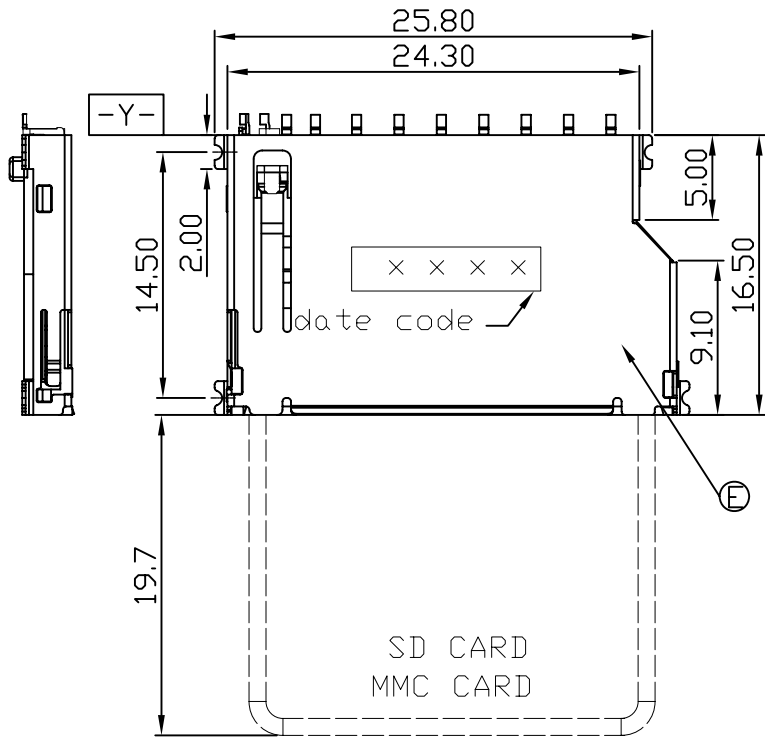
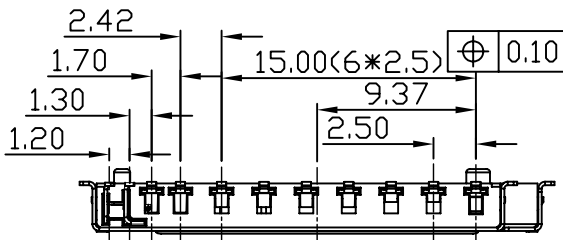
A

B

C

D

E



Material of build:

(E)	SHELL	C2680	1 PCS
(D)	W/P CONTACT	C5191	1 PCS
(C)	C/D CONTACT	C5191	1 PCS
(B)	SD CONTACT	C5210	1 SET
(A)	HOUSING	LCP UL 94 V-0 BLACK	1 PCS
PART	PART NAME	MATERIAL	Q'TY

RoHS Compliant

TOLERANCE	
LINEAR	ANGLES
X. ± 0.40	X° ±4°
.X ± 0.25	.X° ±2°
.XX ± 0.20	.XX° ±
.XXX ±	.XXX° ±

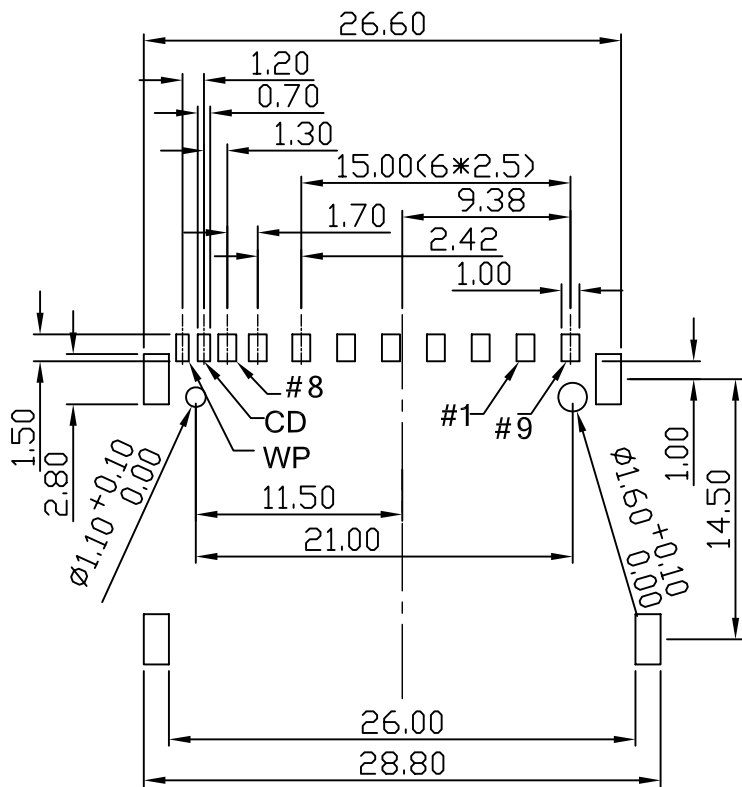
GENESIS TECHNOLOGY, INC.
7F, No. 191, Sec. 2
 Chung-Yang Rd.,
 Tu-Cheng City,
 Taipei Hsien, Taiwan
 A Genesis Electro-Mechanical Company

APPD: _____ MAT'L: _____
 CHKD: _____ FINISH: _____
 DRWN: Vegas Q'TY: _____

TITLE:	SD CARD NO PUSH TYPE			
PART NO.	SDCR-2009-BK43R1P			
DWG NO.	GTI09-25077			
UNITS	SCALE	SHEET	REV	
	MM	NONE	1 OF 2	X2

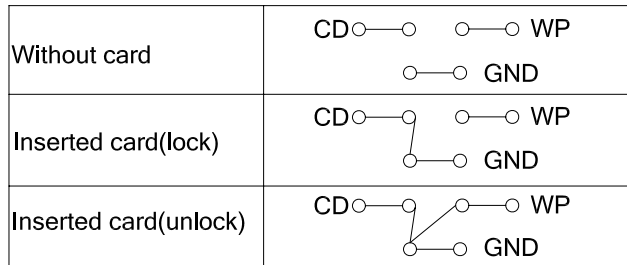
<input checked="" type="checkbox"/> 2	CHANGE PN FOR TAPE REEL PACKING	Vegas	06/25/09'
<input checked="" type="checkbox"/> 1	ISSUED	Vegas	06/19/09'
REV.	ECN NO.	NAME	DATE

1 2 3 4 5 6 7 8



RECOMMENDED P.C.B LAYOUT
(General tolerance ± 0.05)

PIN NO.	SD NAME
P1	CD/DAT3
P2	CMD
P3	VSS
P4	VDD
P5	CLK
P6	VSS
P7	DAT0
P8	DAT1
P9	DAT2



- NOTES:
- All Dimensions are in Millimeters.
 - Material:
Housing: High temperature thermoplastic 94 V-0 .
Contact: Copper alloys
Latch: Stainless steel
Plating: nickel
Contact area: gold over nickel
 - Dimension shall be interpreted per "ansi Y14.5M-1994"
 - The memory card mating force: 20N MAX.
 - The memory card unmating force: 1N MIN
 - Durability: 10000 cycles MIN.
 - Contact retention force: 300g MIN. per contact.
 - Electrical characteristics:
Contact Resistance: 60m Ohm max initial
Dielectric Withstanding Voltage:
500VAC Max With 1 Minute
 - Insulation Resistance: 1000 M Ohm Min
 - Current Rating: 0.5 A AC/DC Max.
Rated Voltage : 30 V RMS Min.
 - Operating Temperature: -25° ~ $+85^{\circ}$
 - Storage Temperature: -40° ~ $+85^{\circ}$
 - Matte Tin with Lead free plating over nickel thickness.
 - RoHS Compliant

ORDER INFORMATION
 SDCR- 20 09 - B K 4 3 R 1P
 ① ② ③ ④ ⑤ ⑥ ⑦ ⑧

- CONNECTOR:
SDCR: SD CARD R/A CONNECTOR
- TYPE:
20: NO PUSH, STANDARD TYPE.
- POSITIONS
09: 9 POSTIONS
- INSULATOR MATERIAL
B: LCP
- INSULATOR COLOR
K: BLACK
- CONTACT PLATING
4: 10u" GOLD PLATING
- SHIELD PLATING
3: NICKEL PLATING
8. PACKING
R: TAPE REEL

PART NO.	SDCR-2009-BK43R1P	SHEET	REV
DWG NO.	GTi09-25077	2 OF 2	SEE SHEET 1